

# Broil King®

---

---



**Broil King.**  
CROWN 410  
8650-52  
8650-53  
CROWN 410 R  
8650-53R

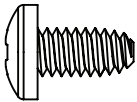
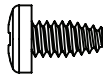
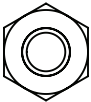
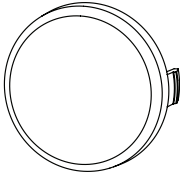
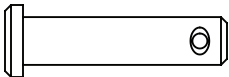
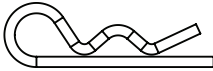

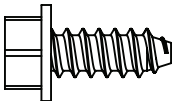

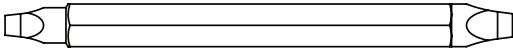


**Broil King.**  
CROWN 430  
8650-62  
8650-63  
CROWN 430 R  
8650-63R

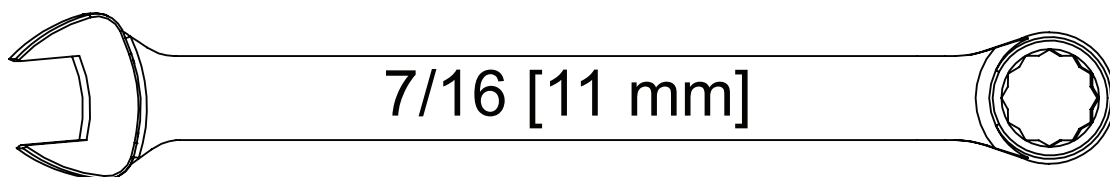


**Broil King.**  
CROWN 480  
8650-82  
8650-83

**HARDWARE INCLUDED / MATERIAL INCLUS / EQUIPOS INCLUIDO**

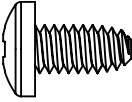
Y-12865		(14)	Y-29304		(6)
Y-11793		(4)	32001-151		(4)
S21235		(2)	S21233		(2)
20005-000					(1)
S21084		(8)	  #2 ROBERTSON      #3 ROBERTSON		

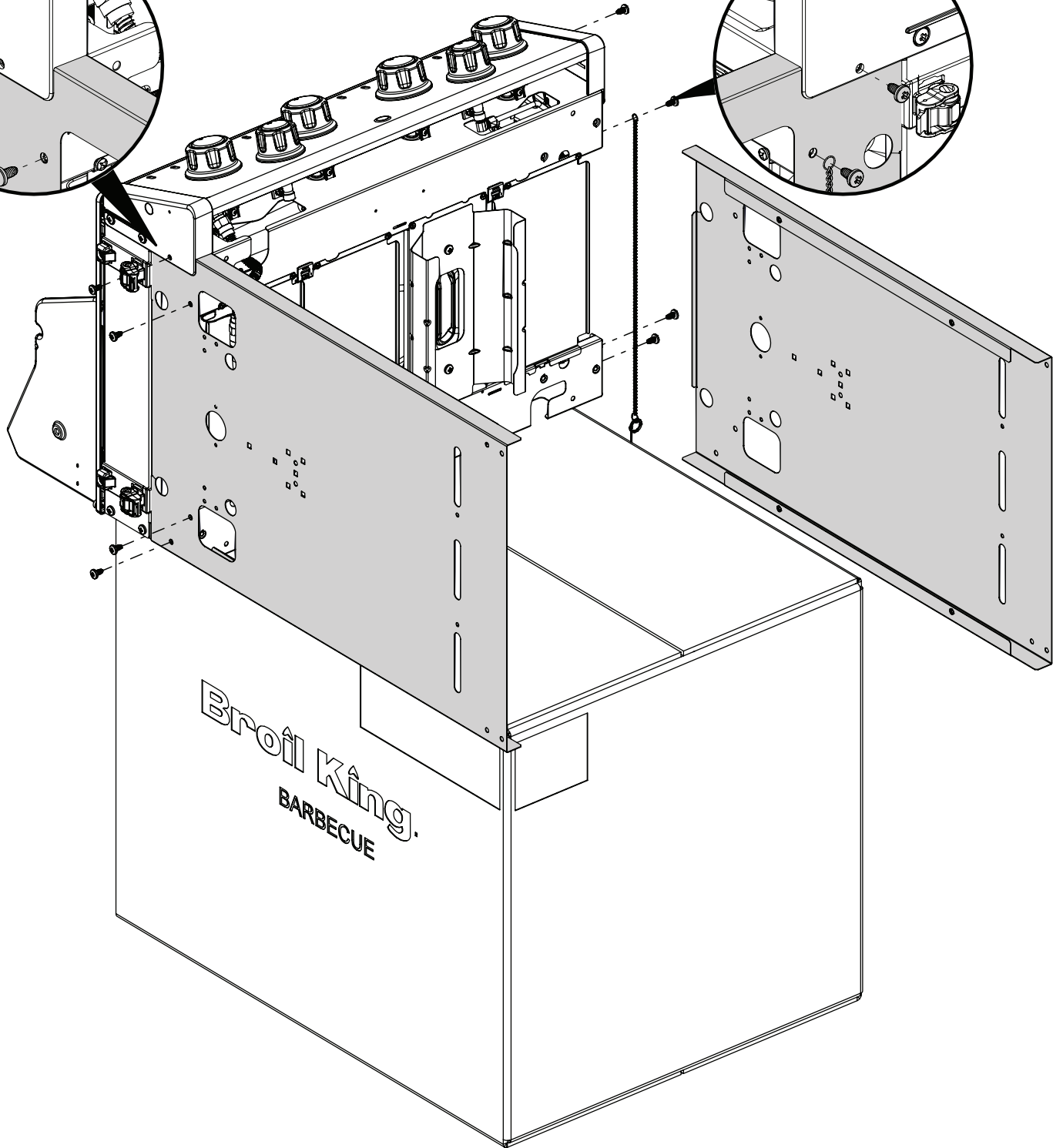
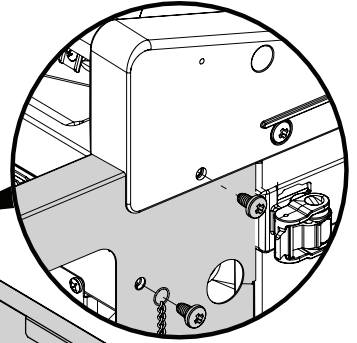
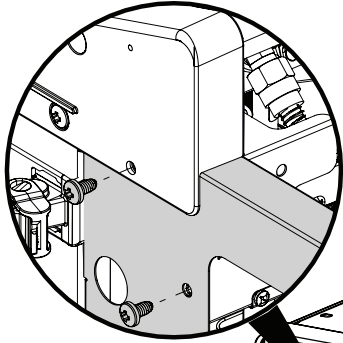
**TOOLS REQUIRED / OUTILS NECESSAIRES / HERRAMIENTAS NECESARIAS**





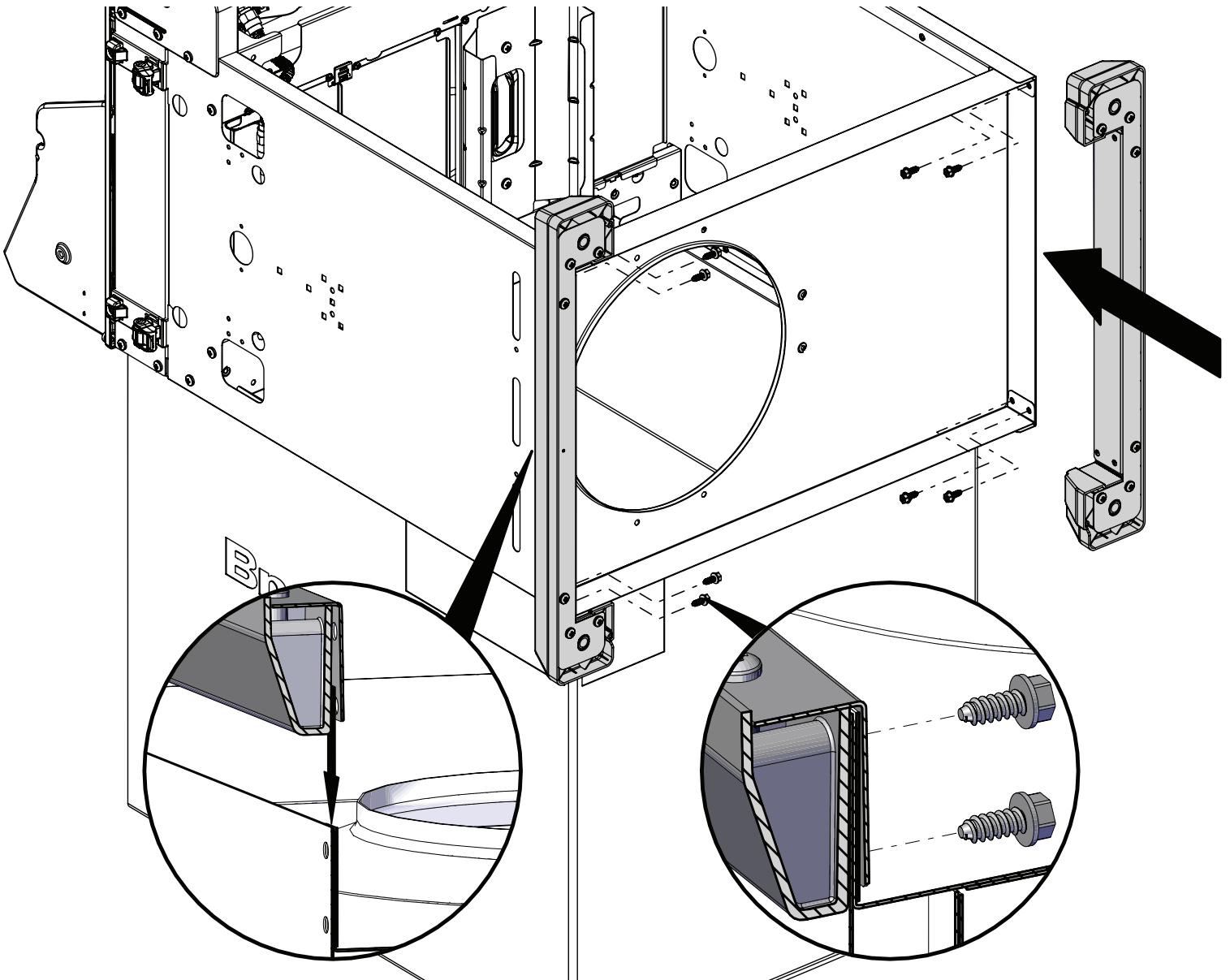
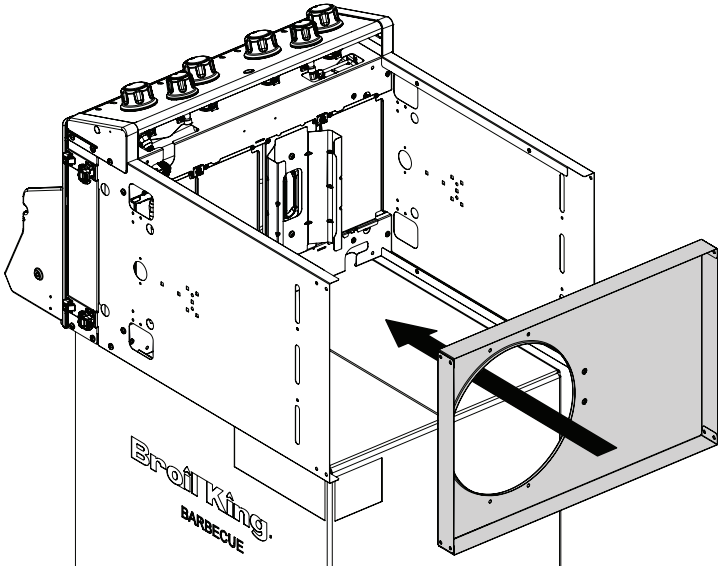
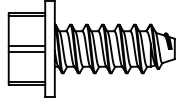
2

(8)  (1)

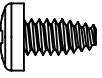


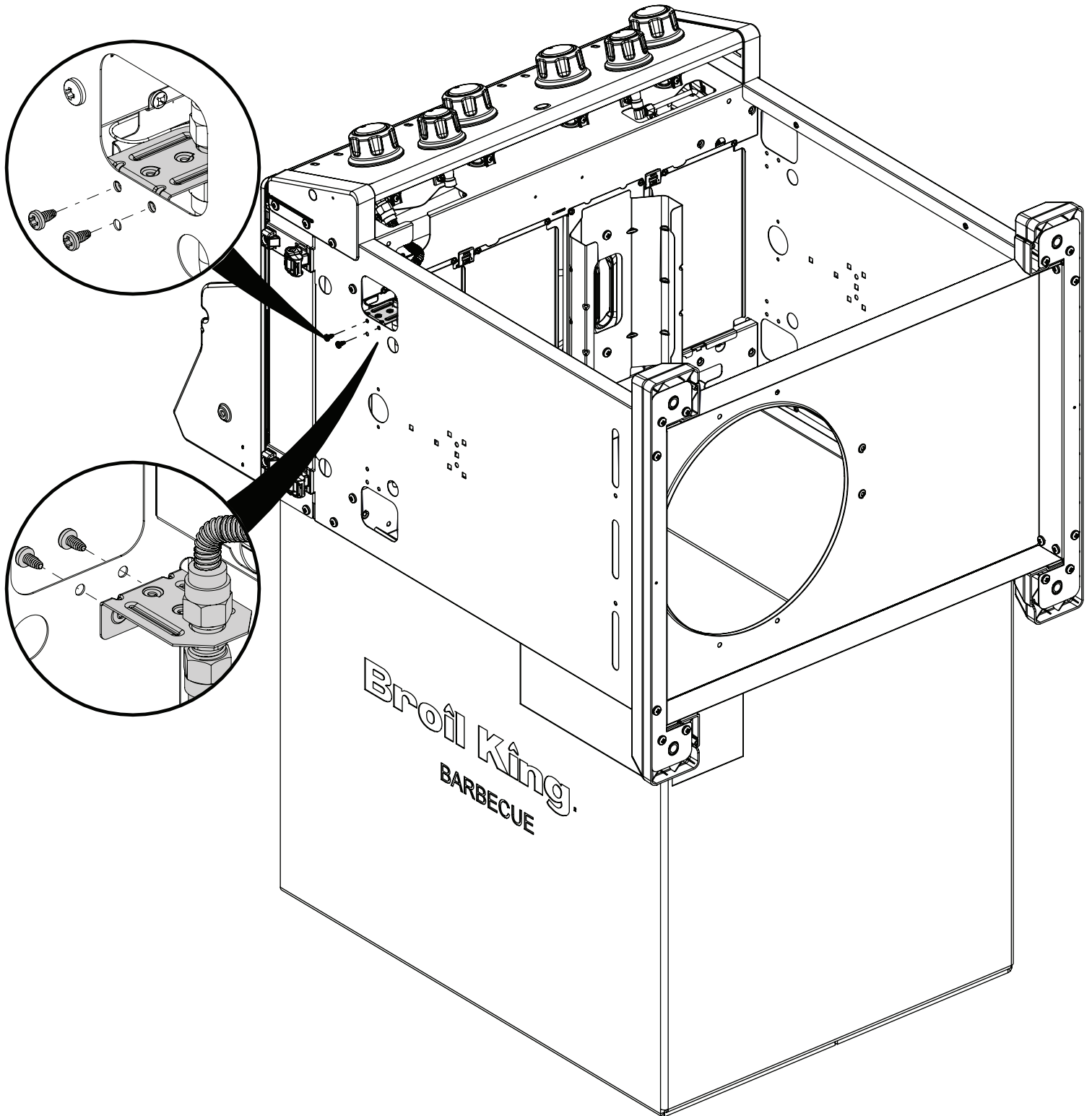
3

(8)

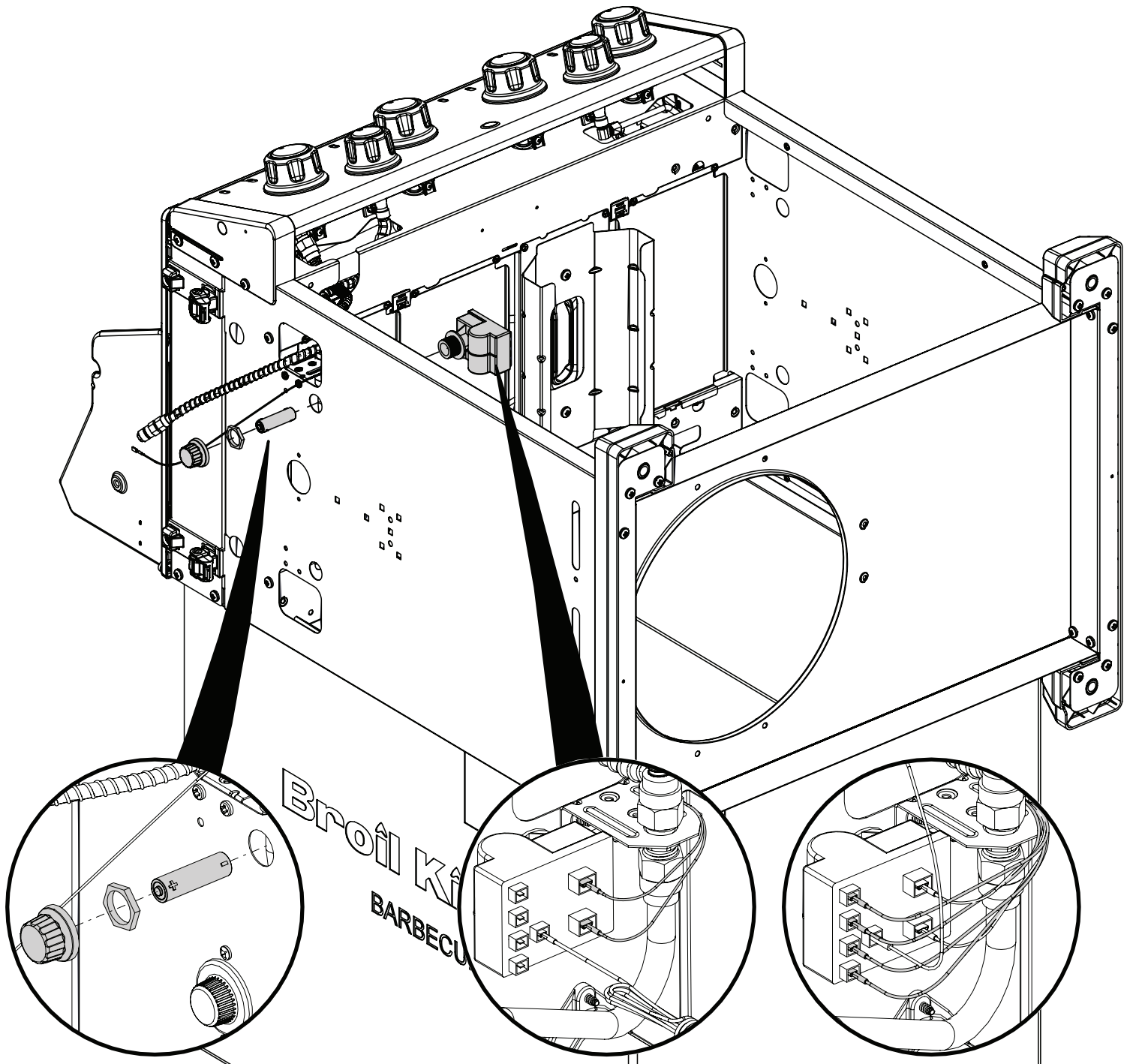
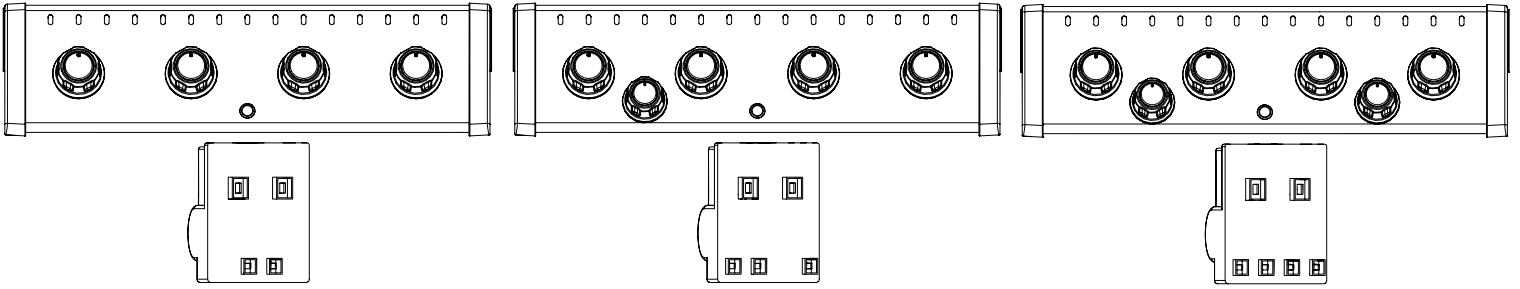


4

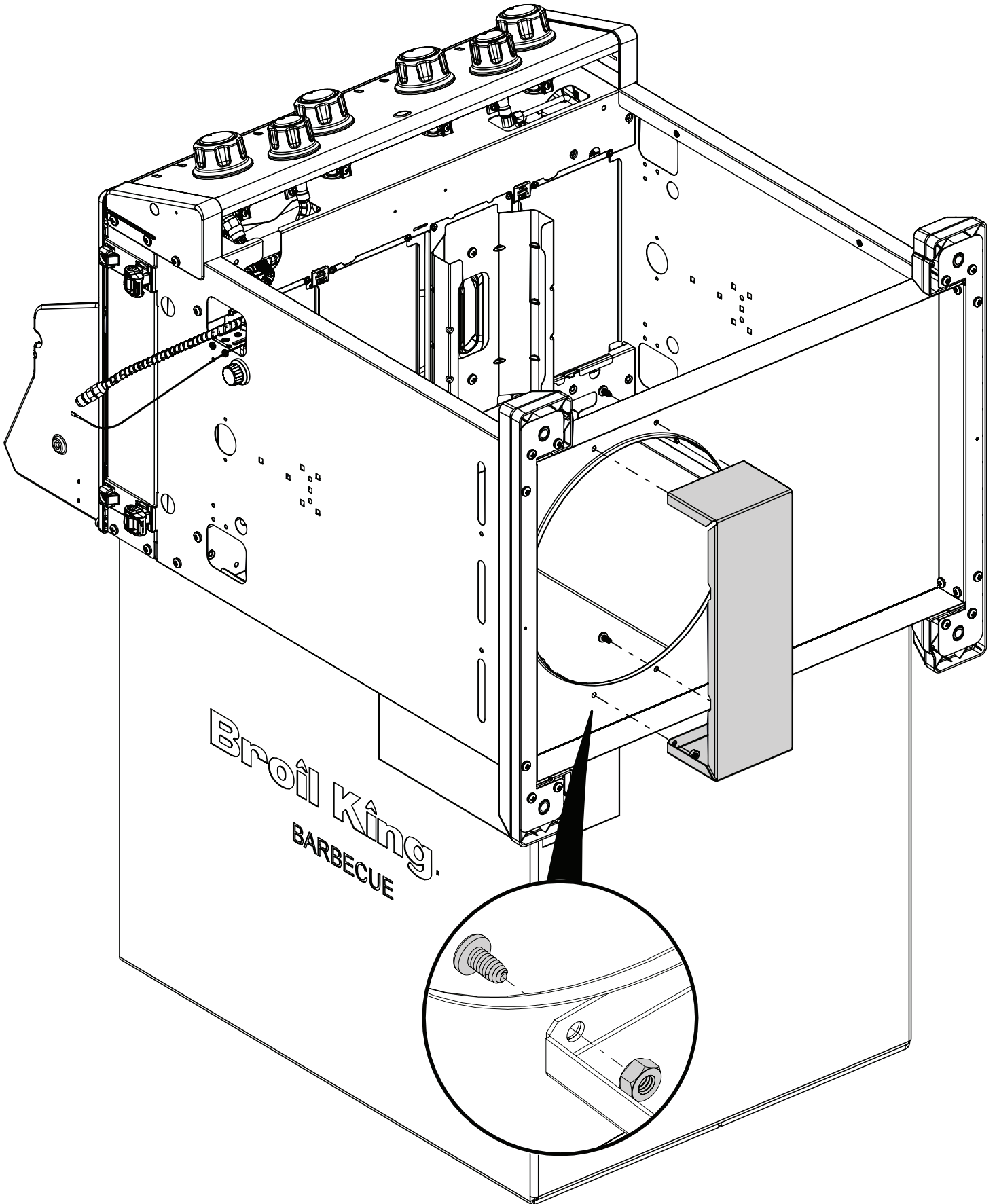
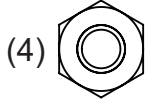
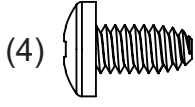
(2) 



5

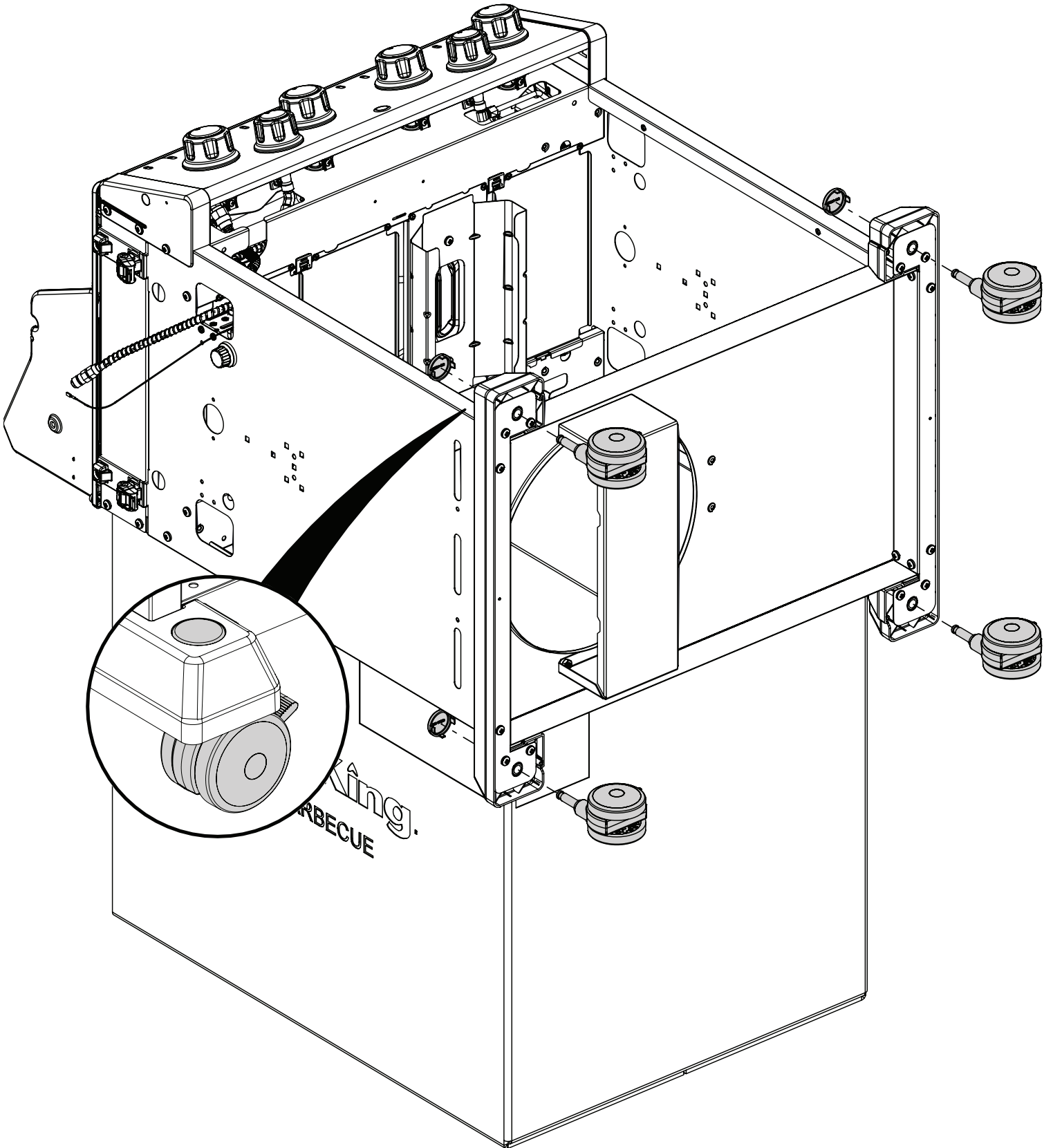
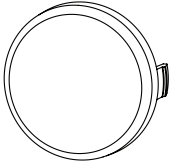


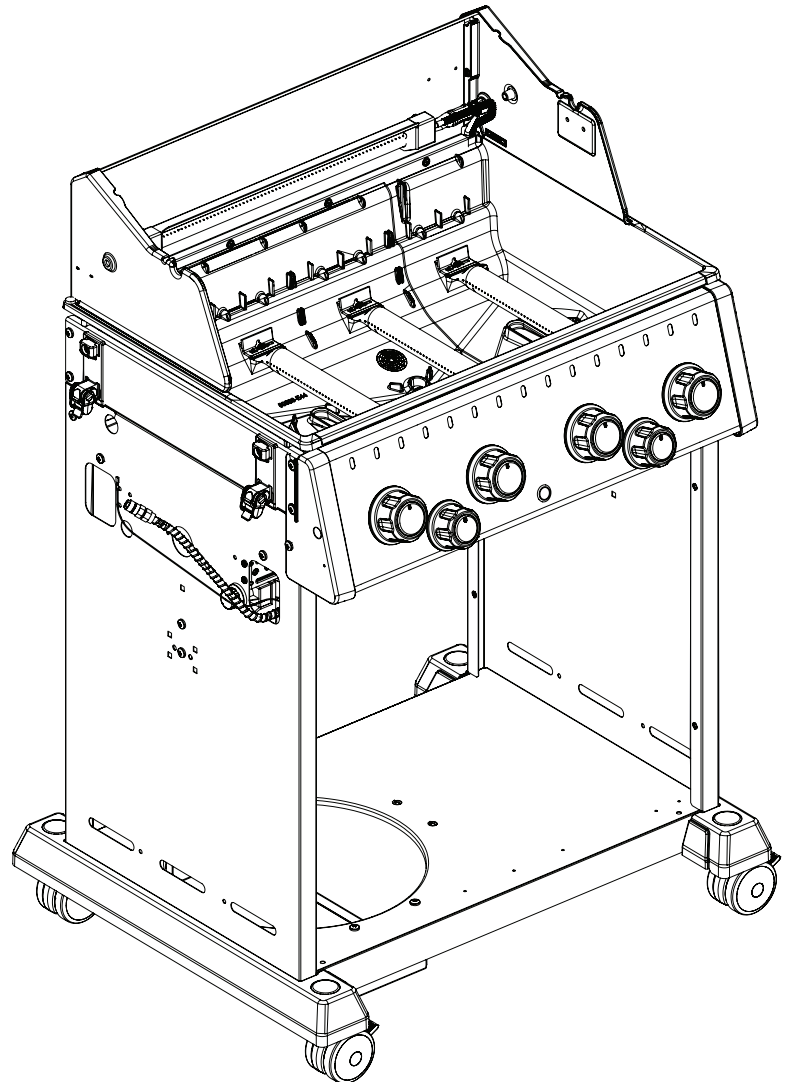
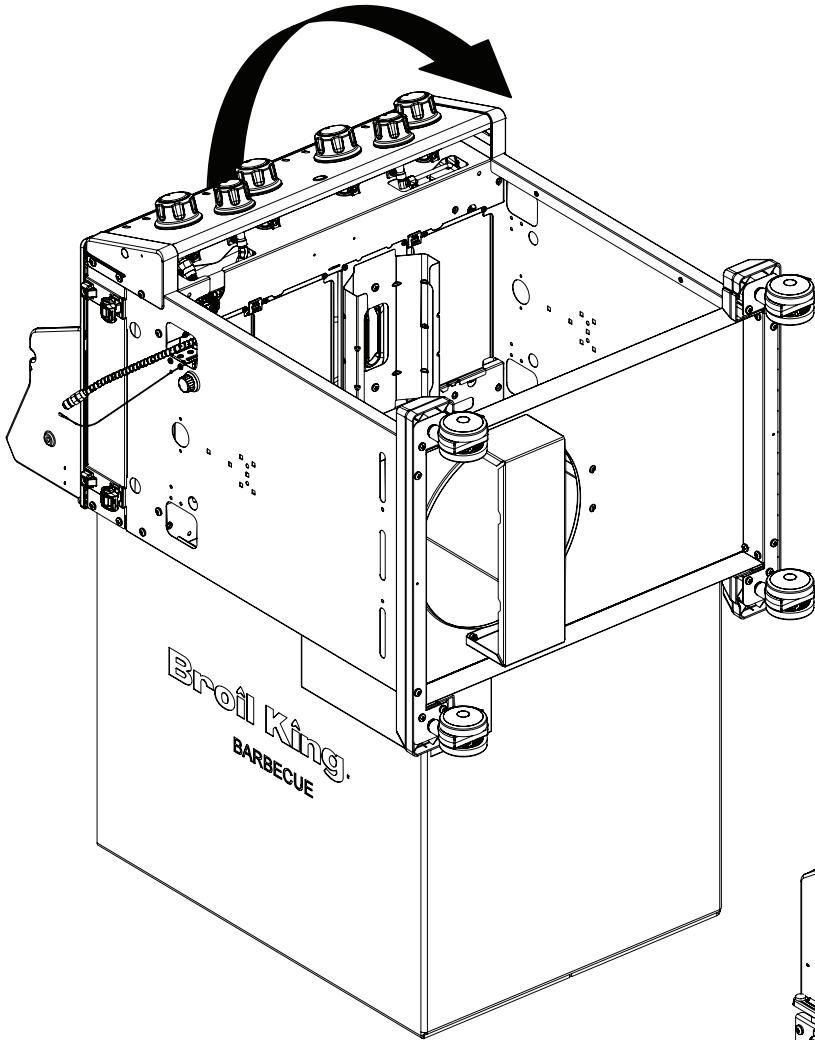
6



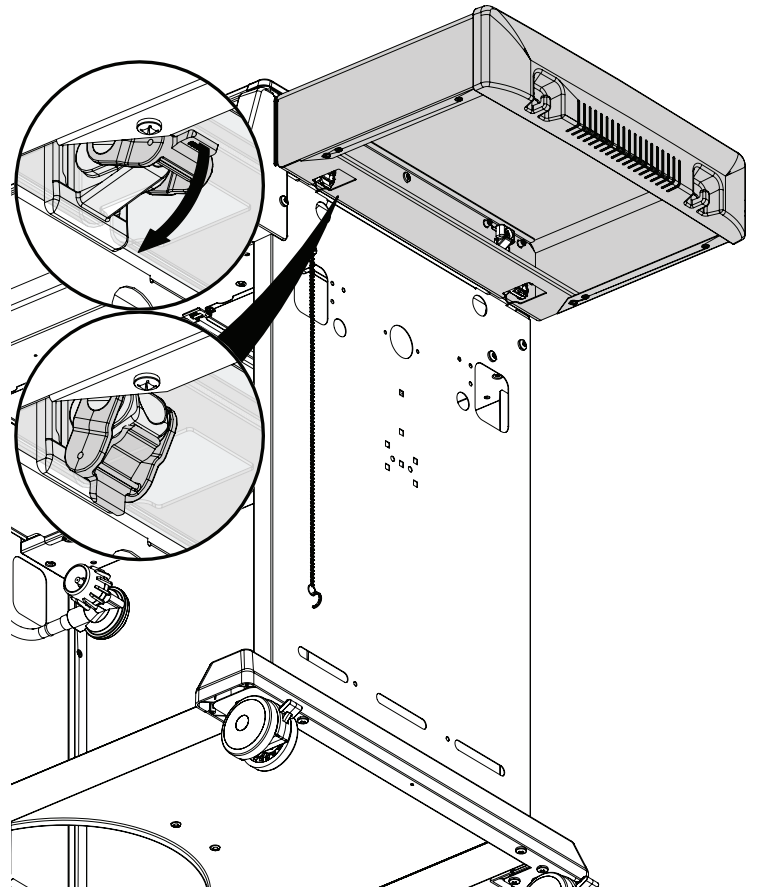
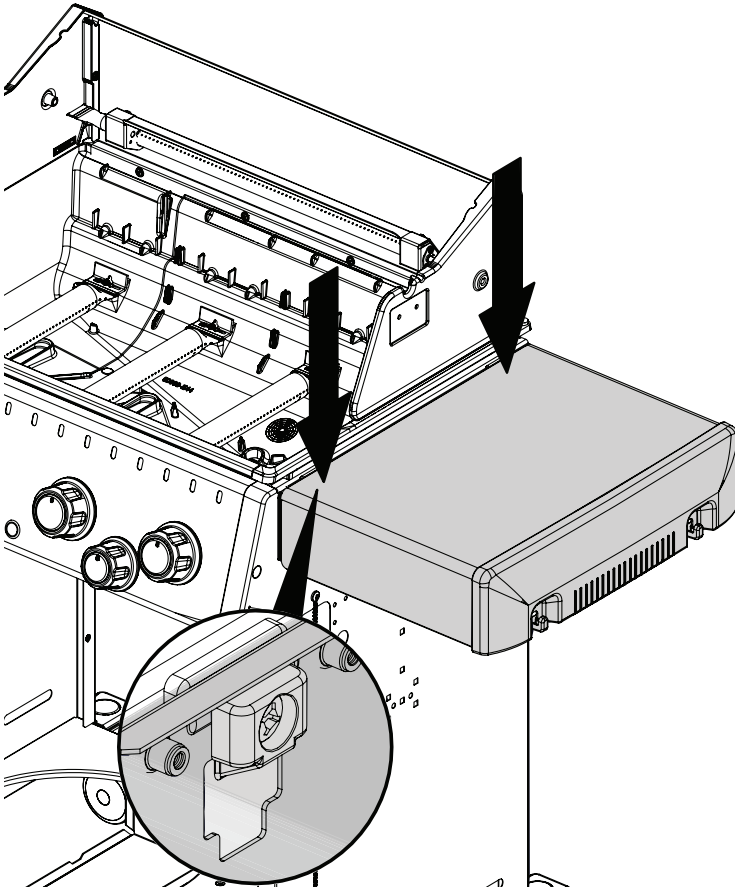
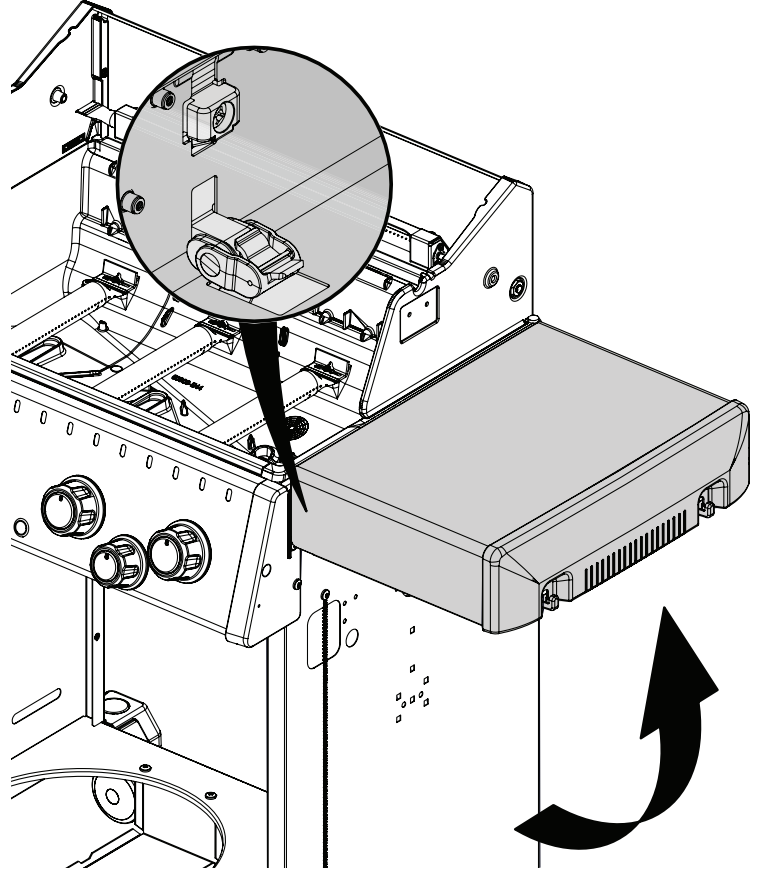
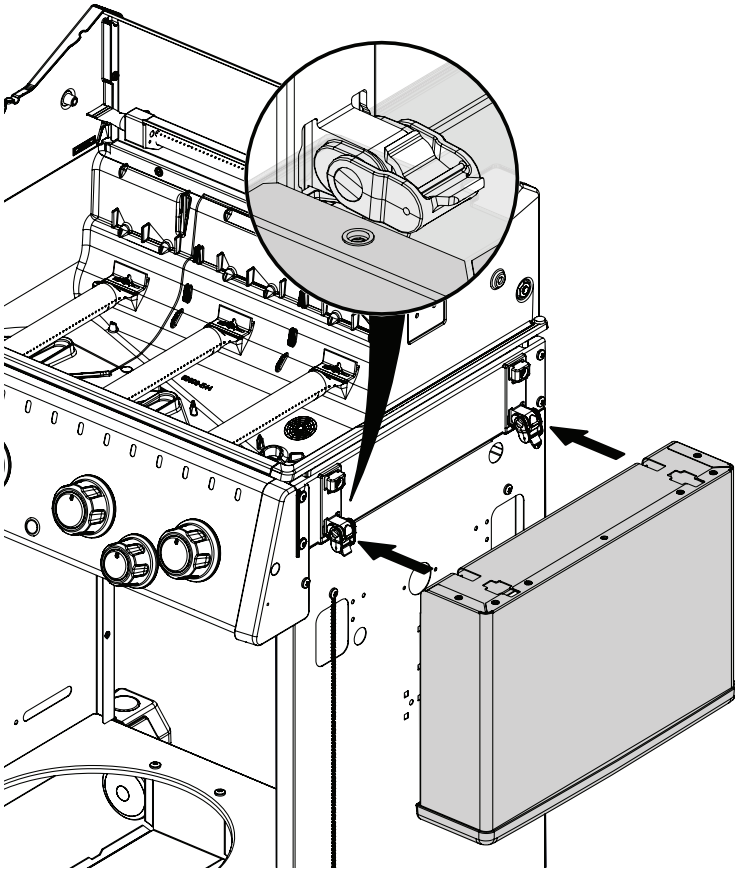
7

(4)

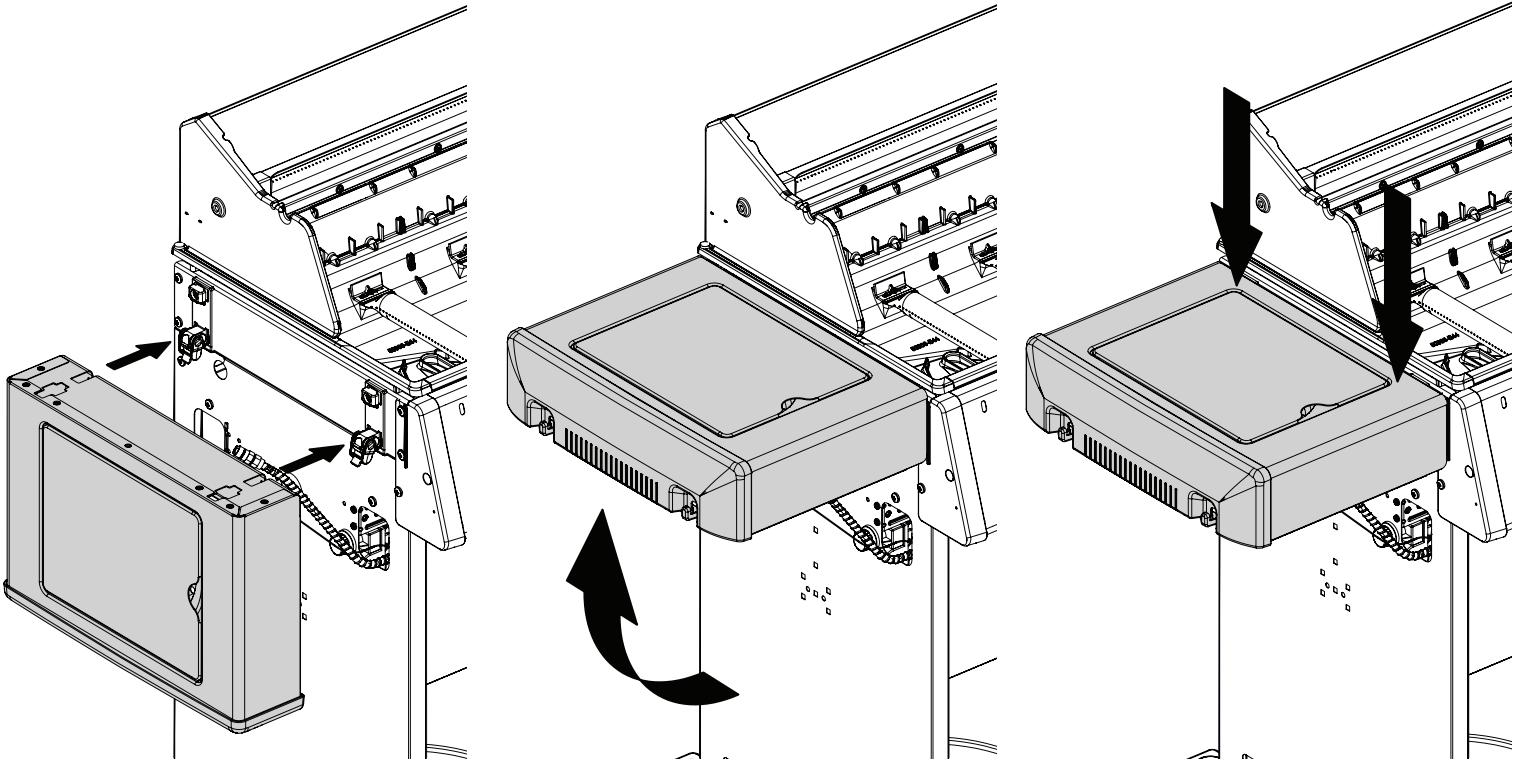




9



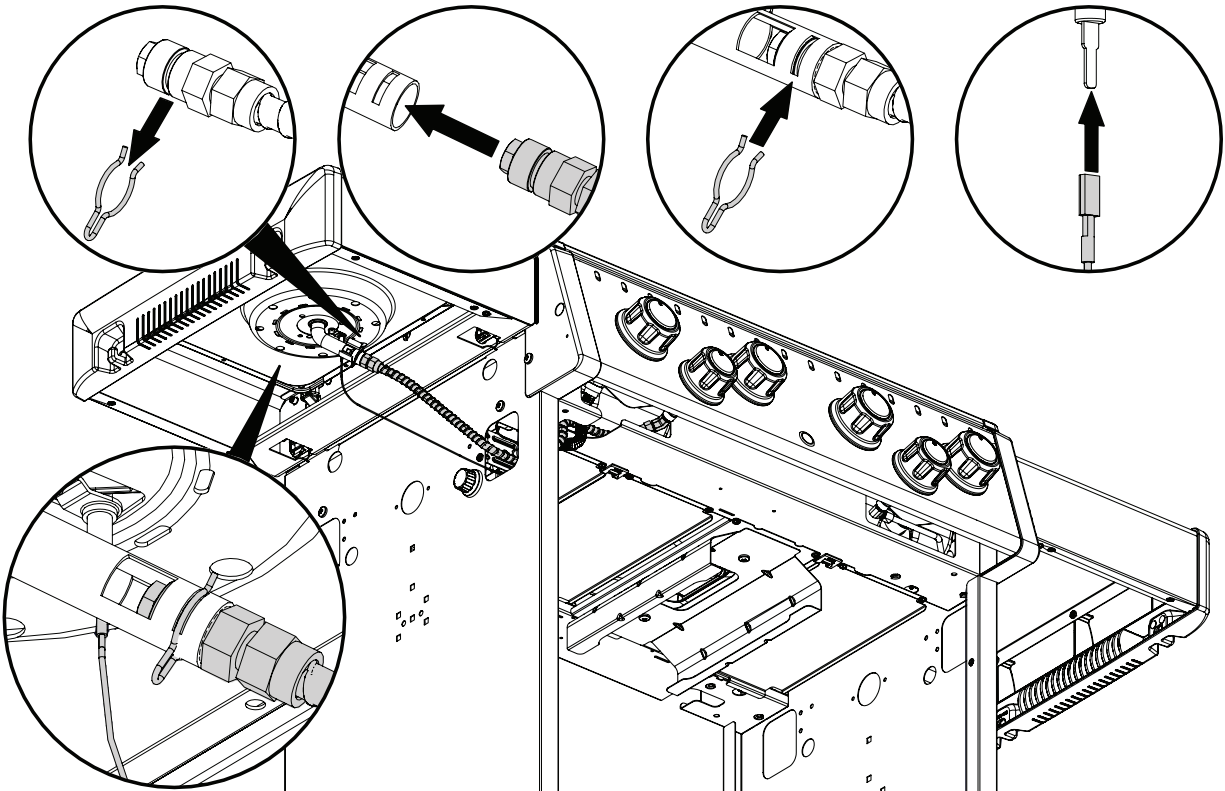
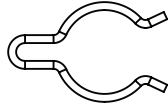
# 10

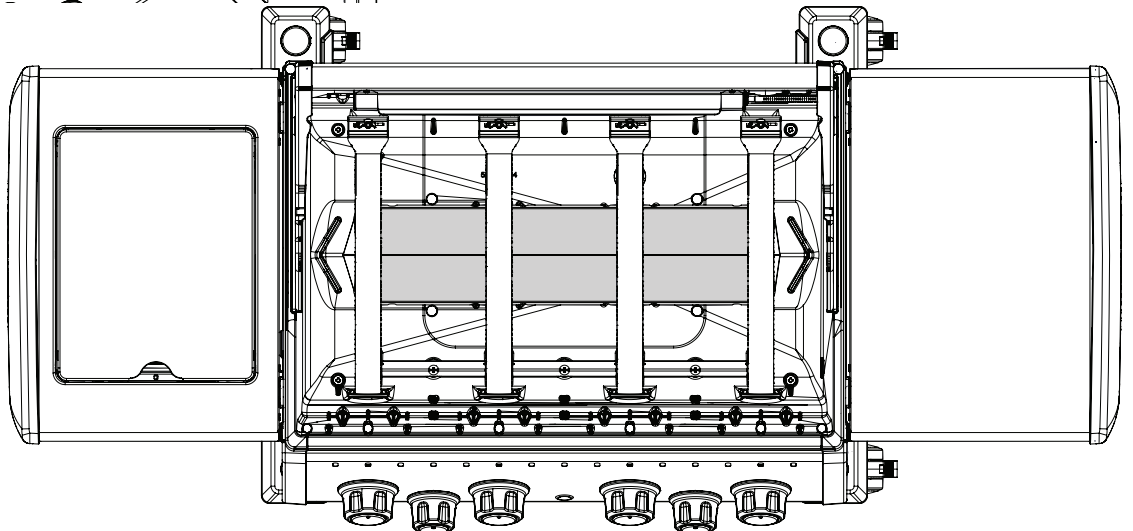
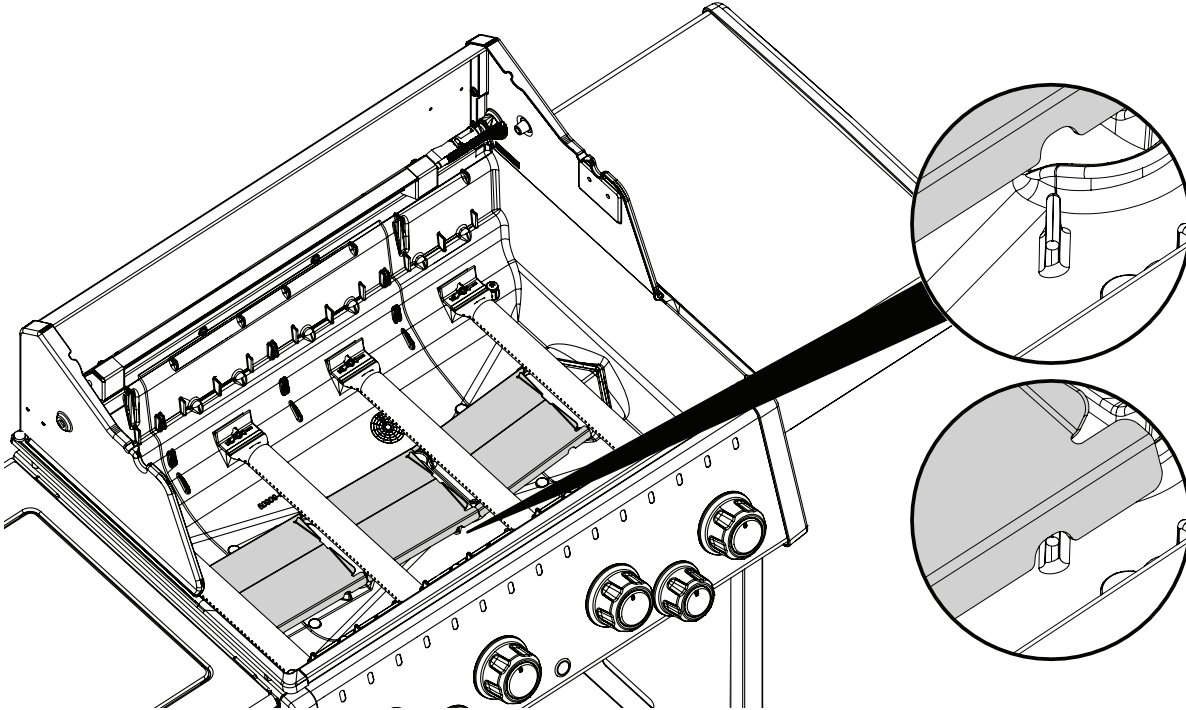
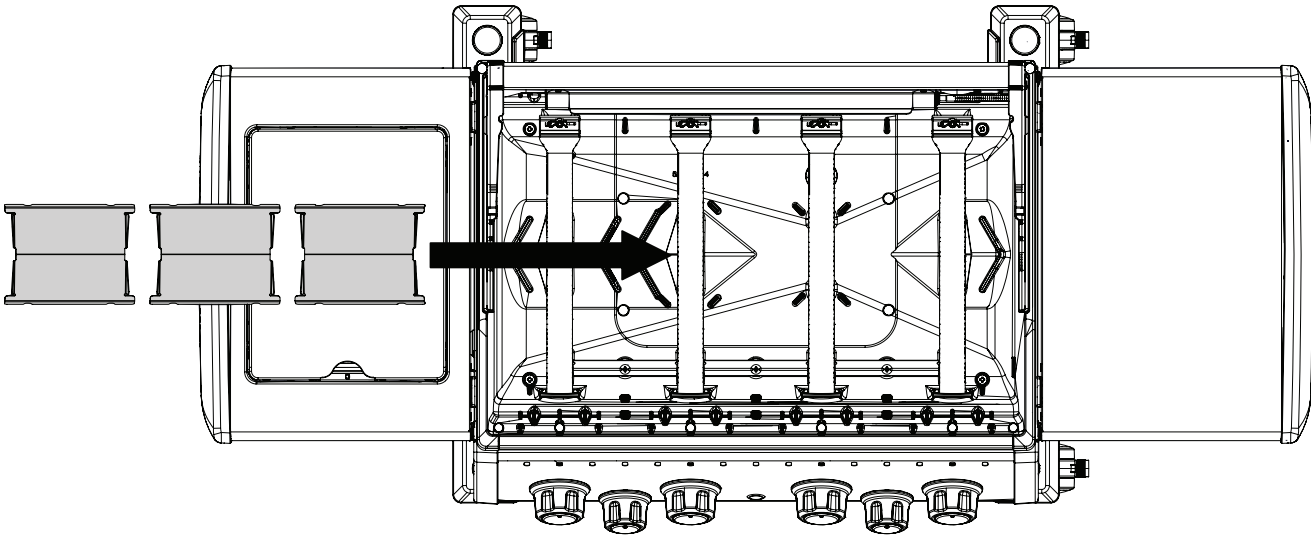


# 11

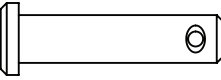
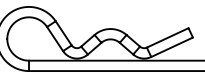


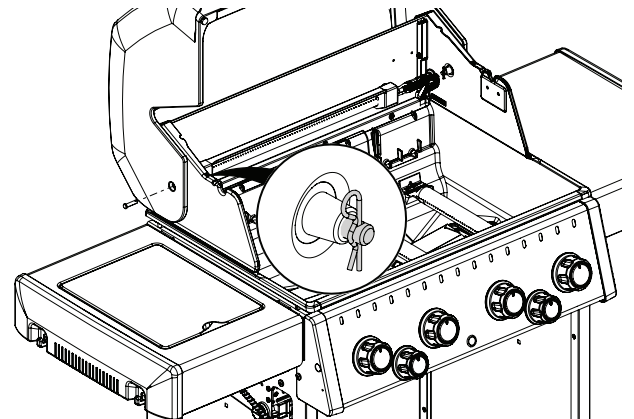
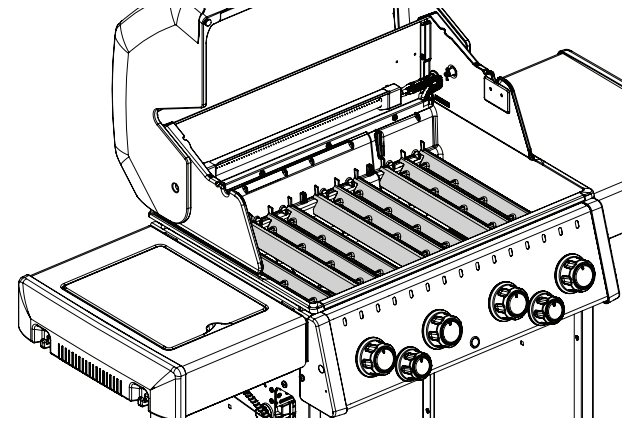
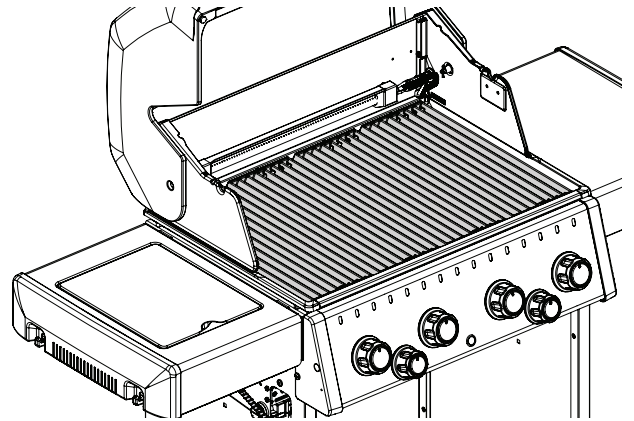
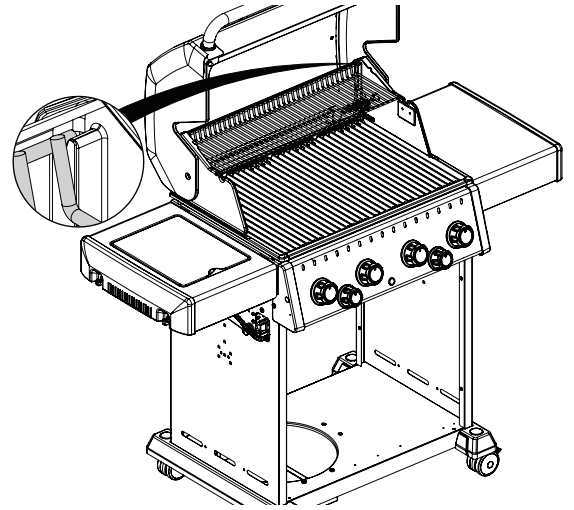
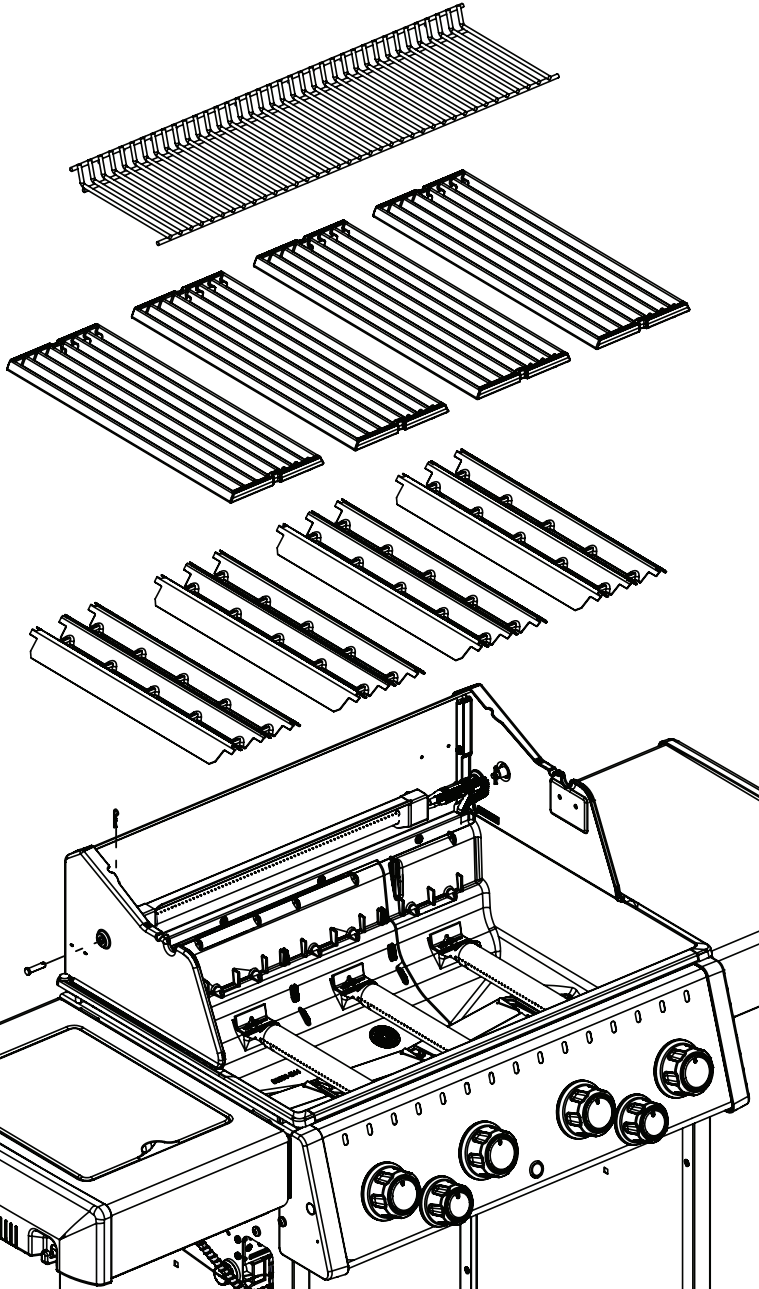
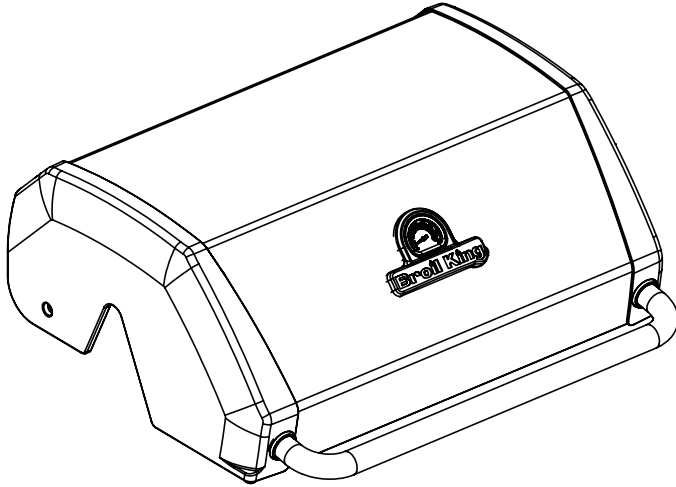
(1)





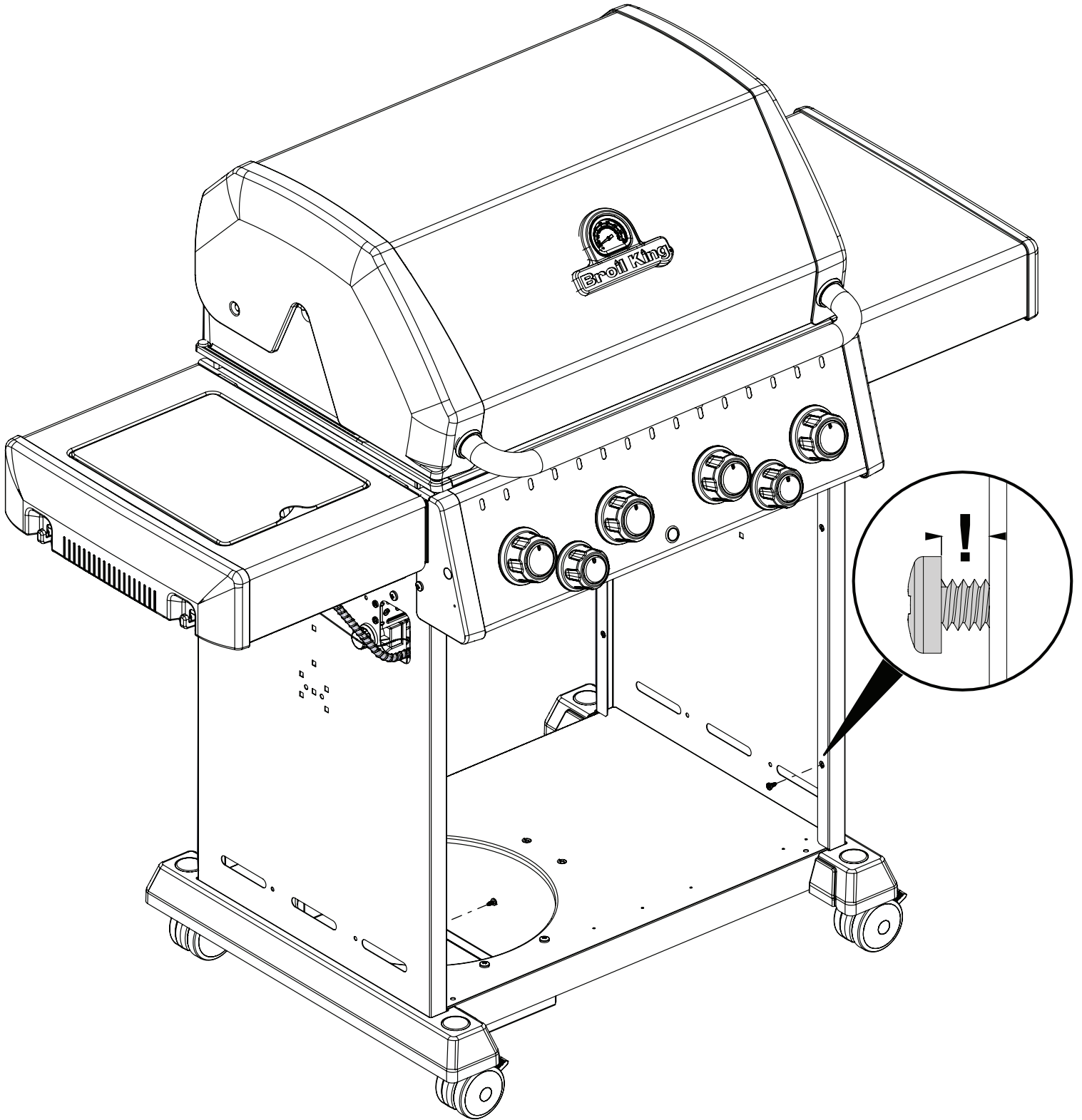
# 13

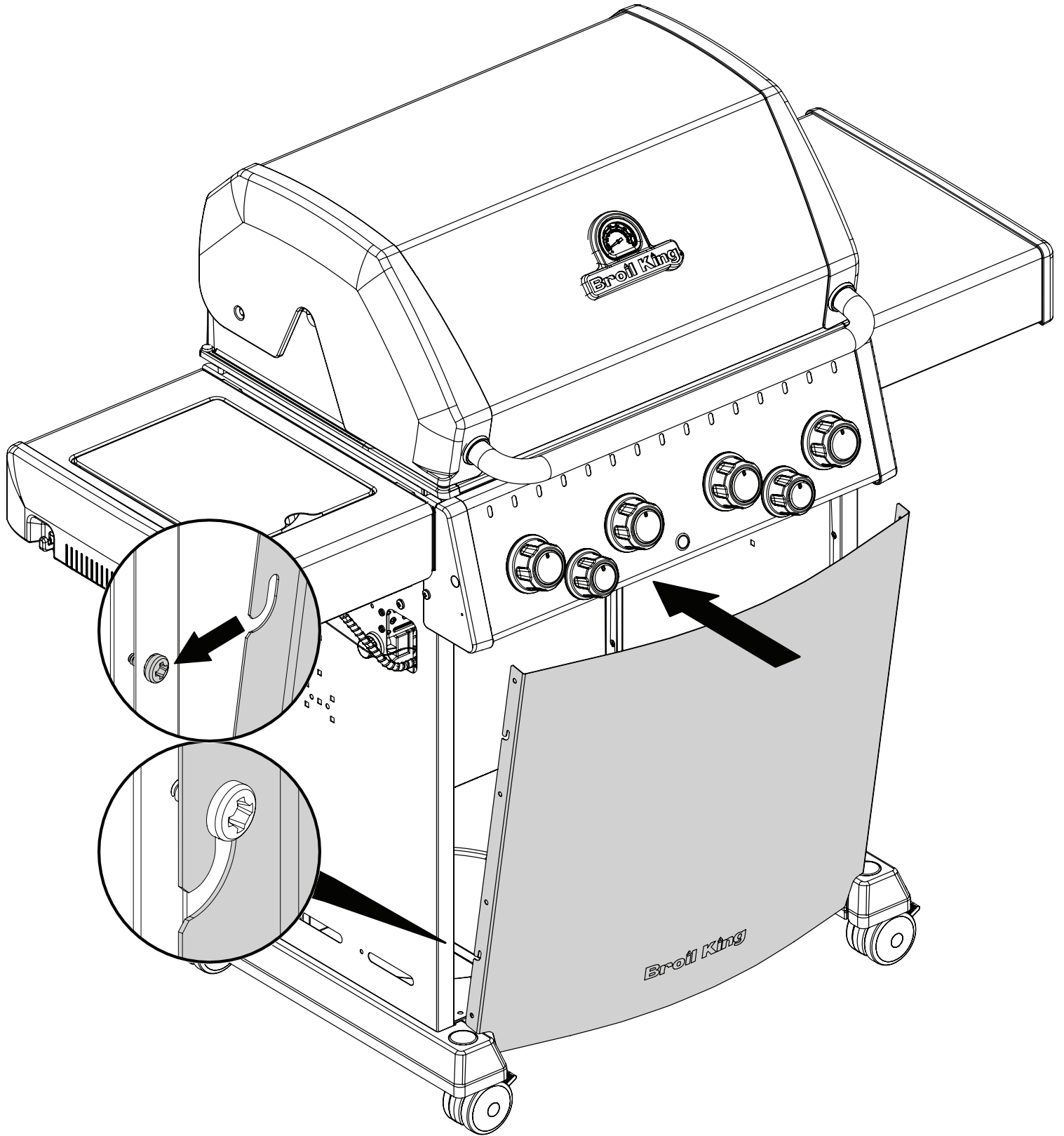
(2)  (2) 



# 14

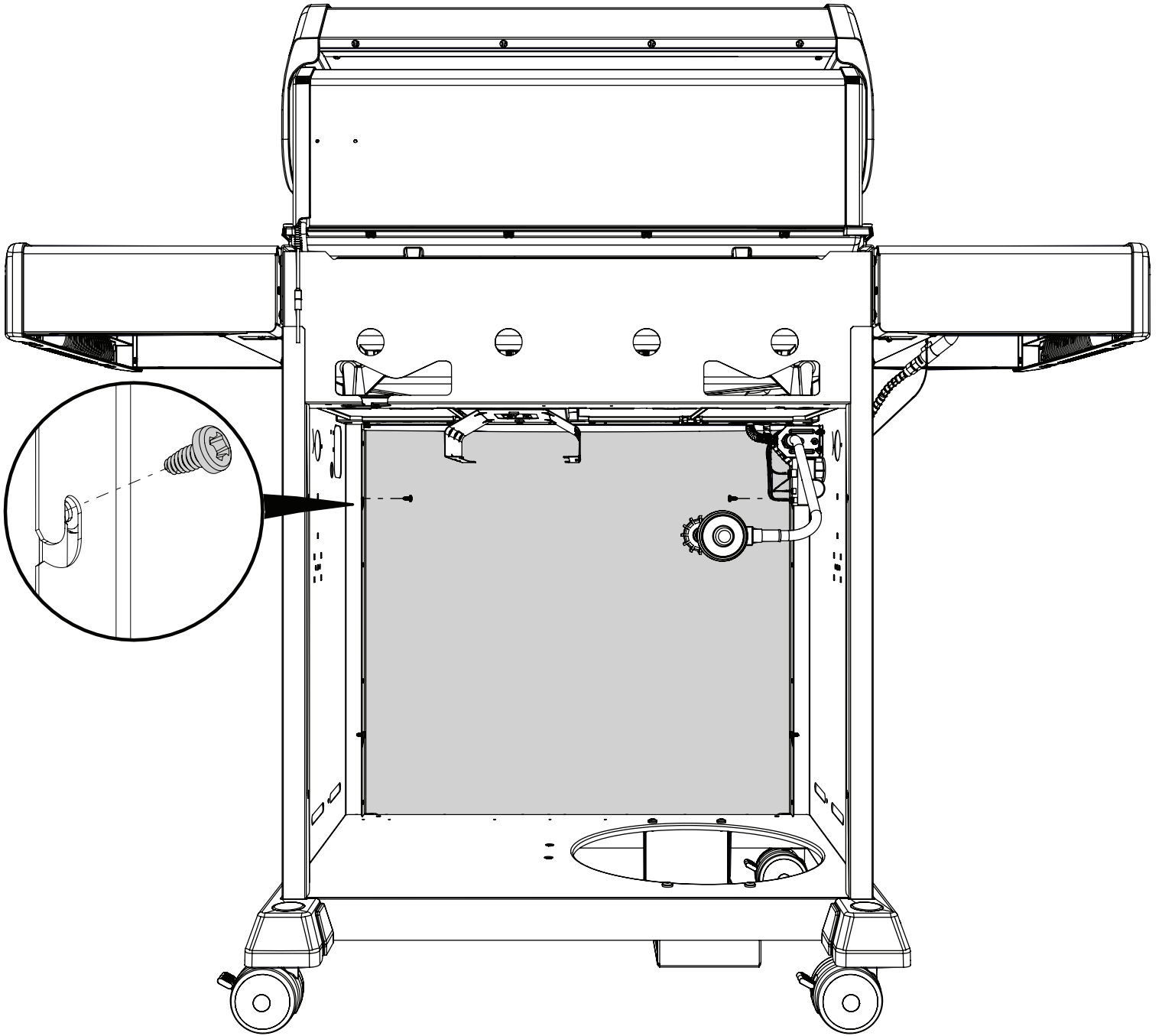
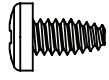
(2) 



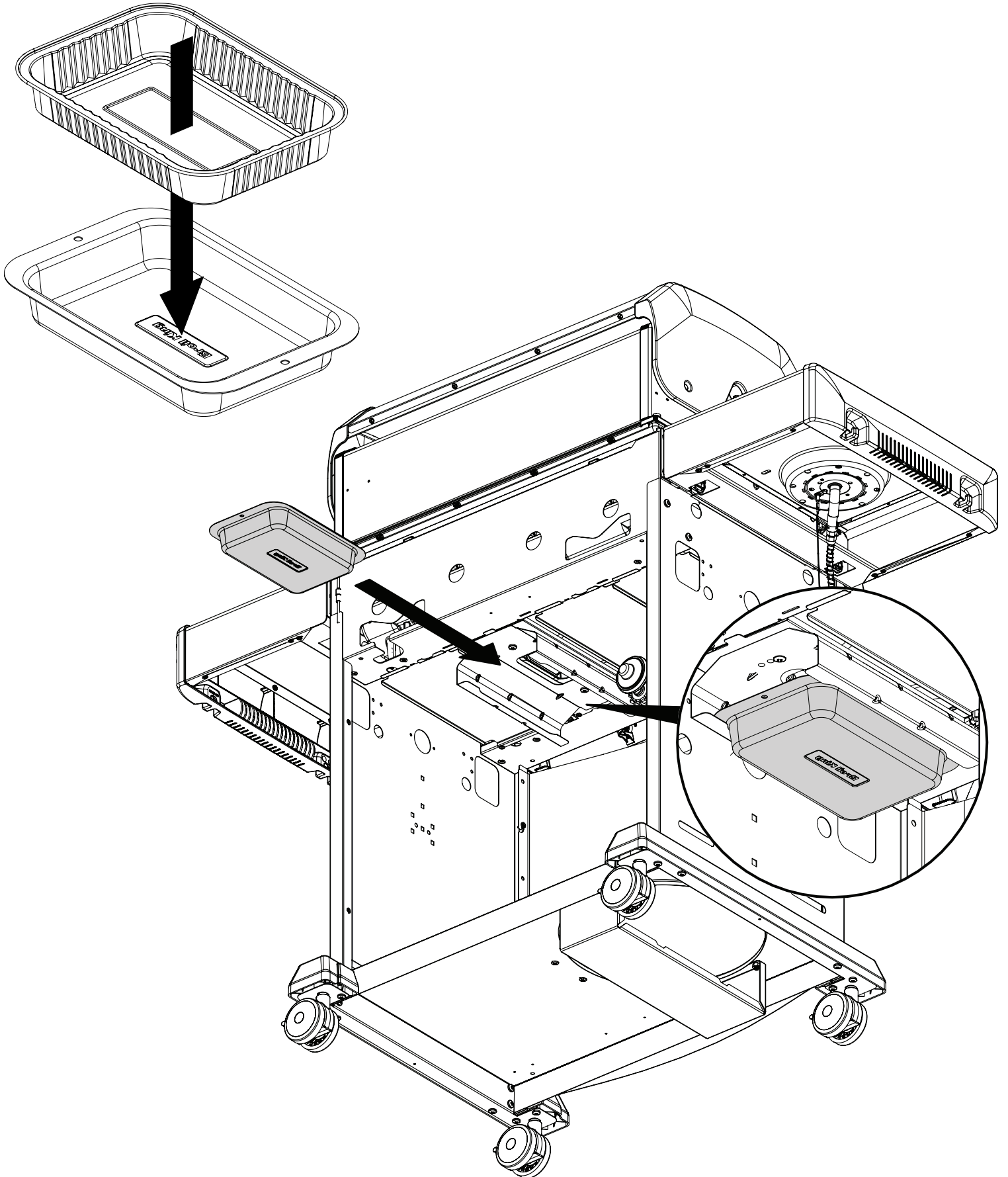


# 16

(2)



17



18

