

Broil King®



Broil King
BARON 420
8752-52
8752-53
8752-53FRSP



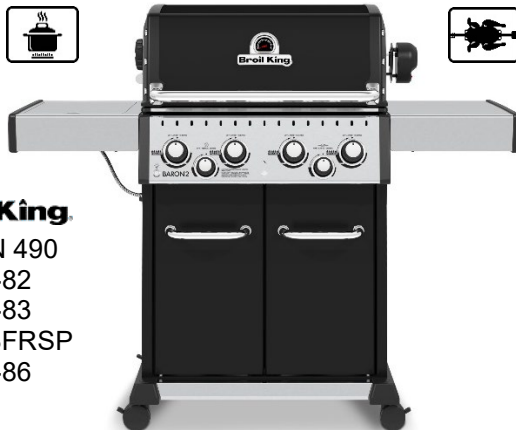
Broil King
BARON S 420
8753-52
8753-53



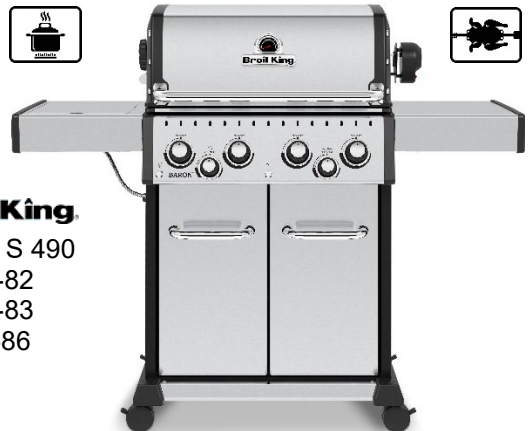
Broil King
BARON 440
8752-62
8752-63



Broil King
BARON S 440
8753-62
8753-63


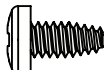
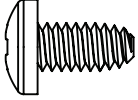
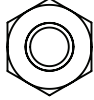
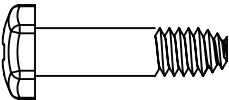
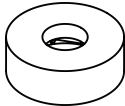
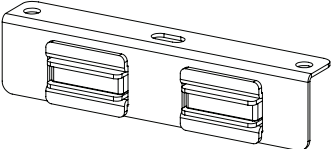
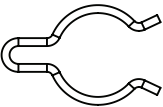
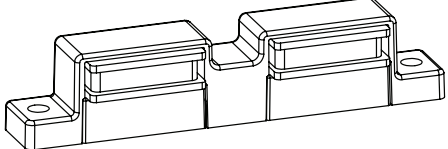
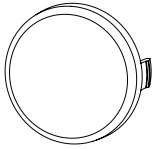
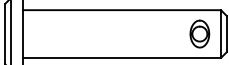
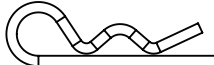
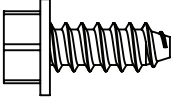






Broil King
BARON 490
8752-82
8752-83
8752-83FRSP
8752-86

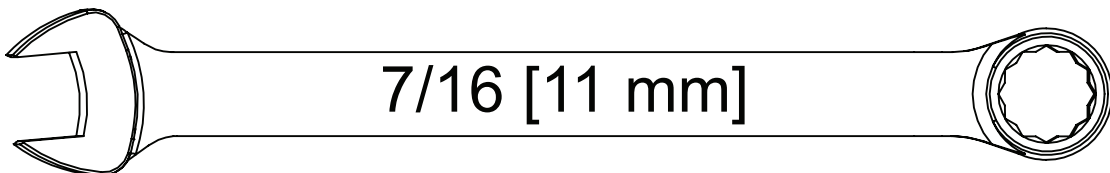


Broil King
BARON S 490
8753-82
8753-83
8753-86

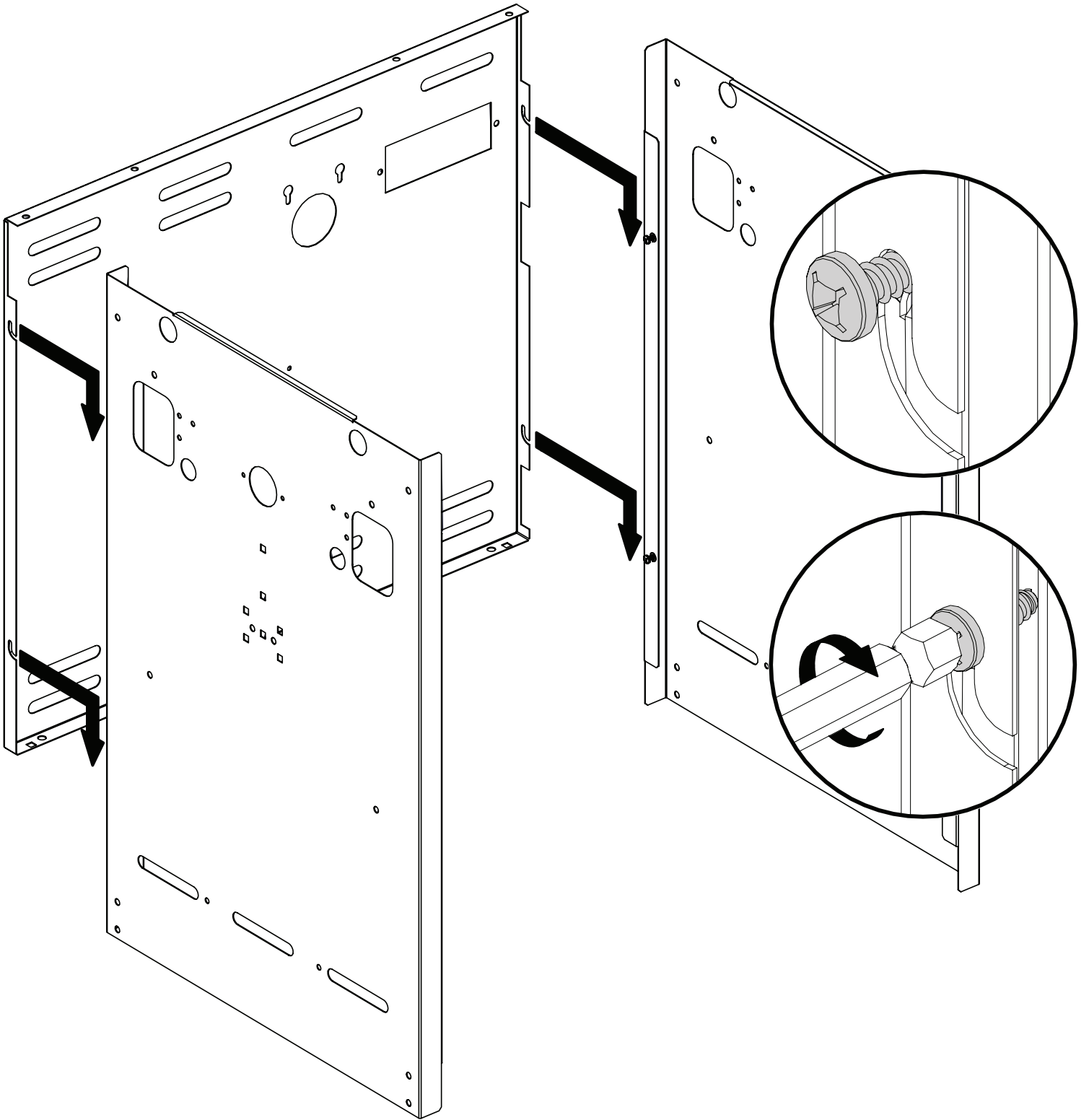
HARDWARE INCLUDED

S21124		(8)	Y-29304		(2)
Y-12865		(12)	Y-11793		(4)
Y-11551		(2)	Y-12124		(2)
56039-214A		(1)	Y-11230		(2)
Y-12229		(1)	32001-151		(4)
S21235		(2)	S21233		(2)
S21084		(8)	S21125		(2)
20005-000					(1)
 #3 ROBERTSON		 #2 ROBERTSON			

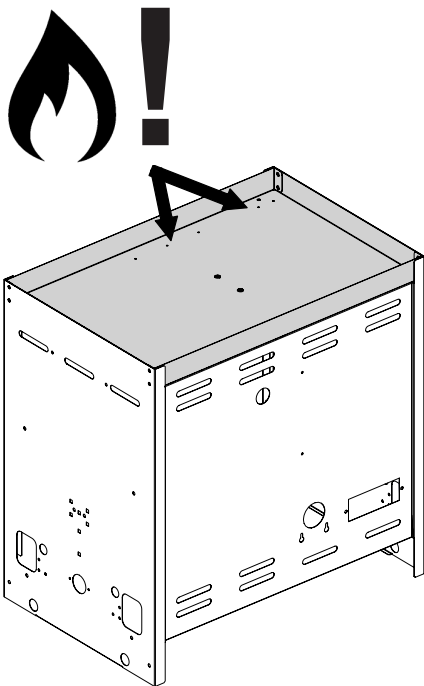
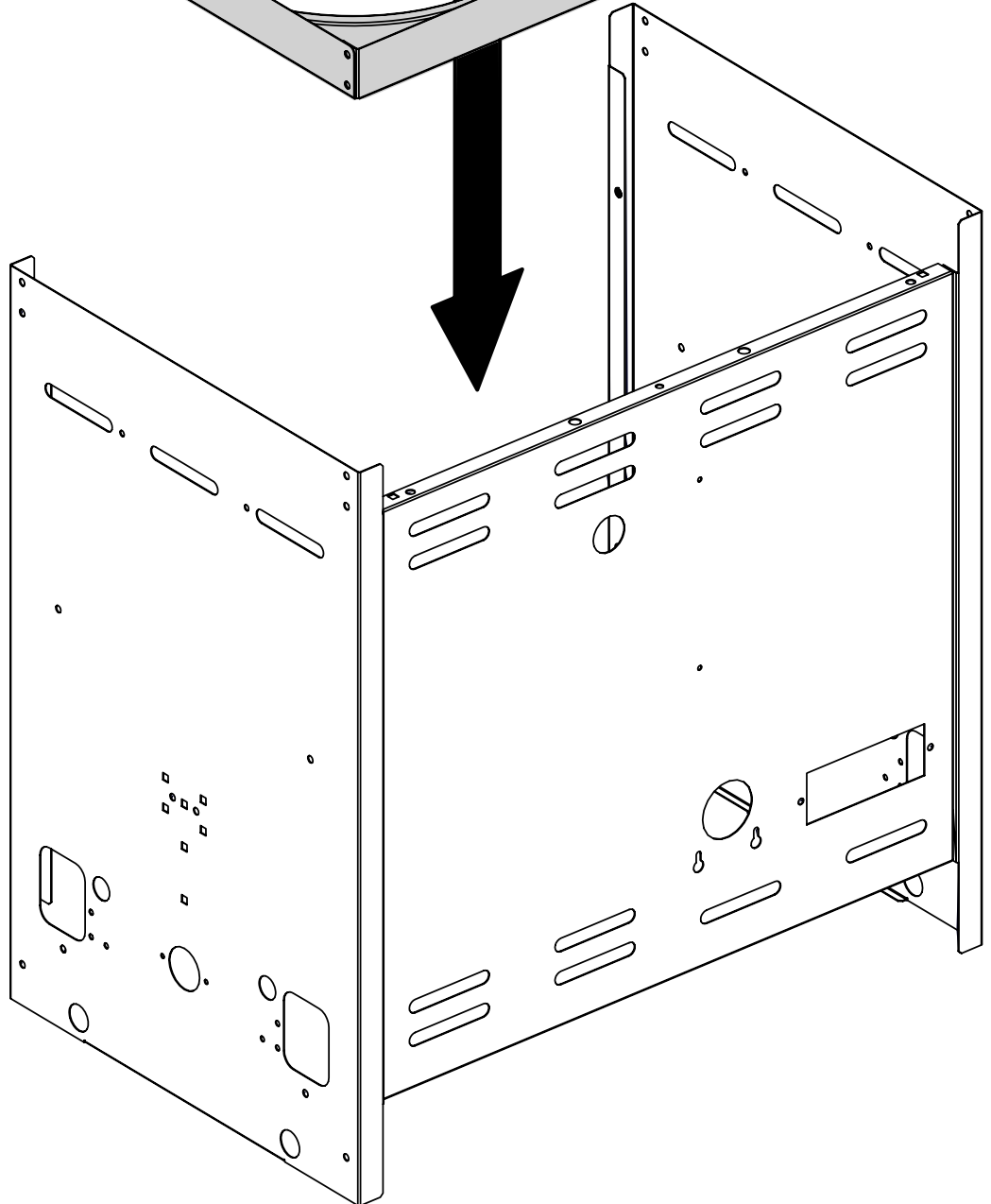
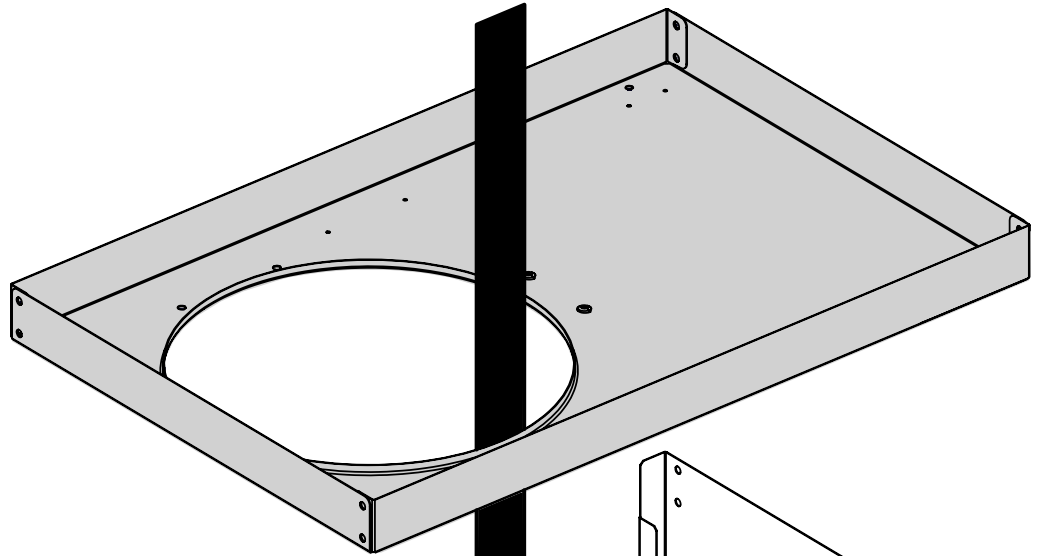
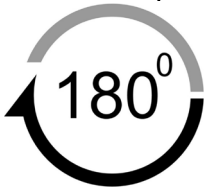
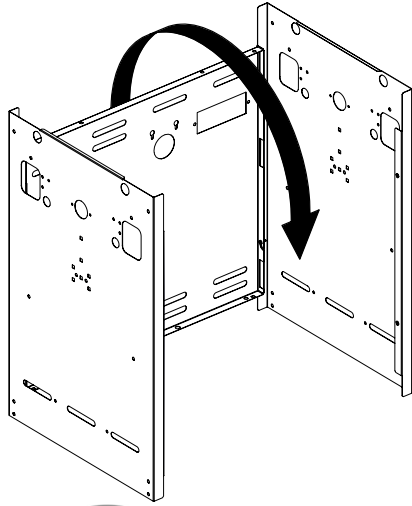
TOOLS REQUIRED




1

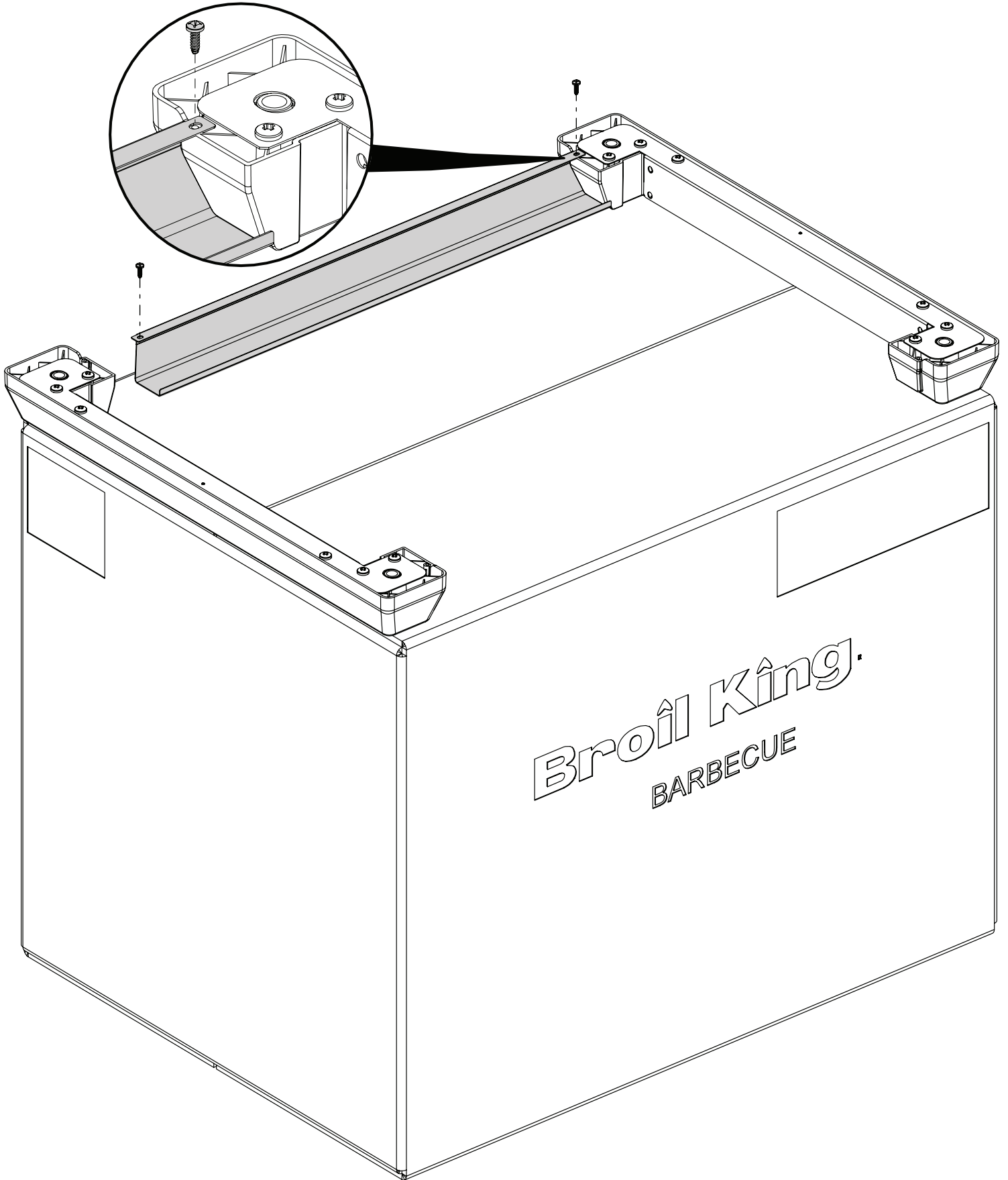


2

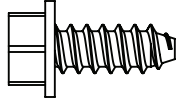


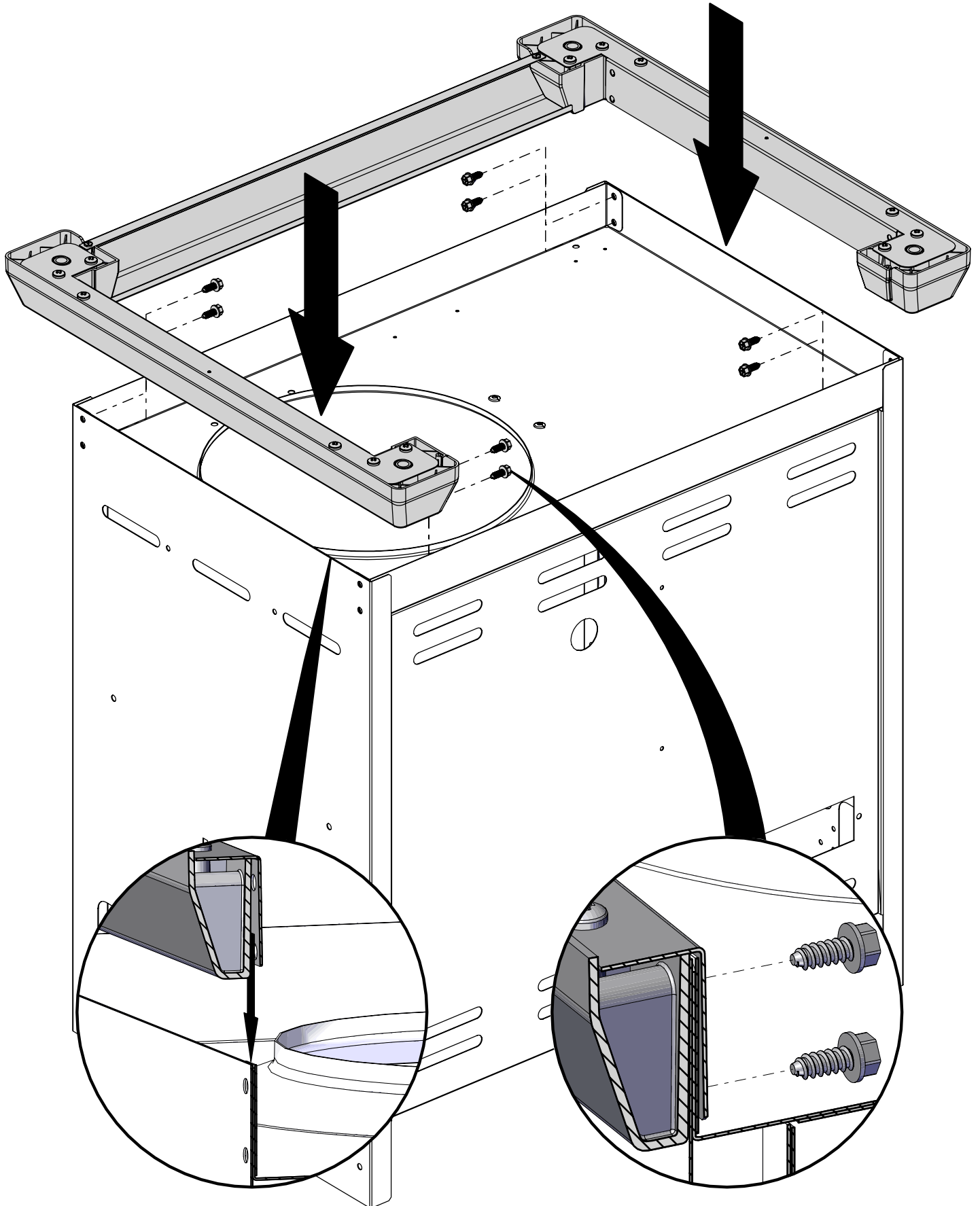
3

(2) 

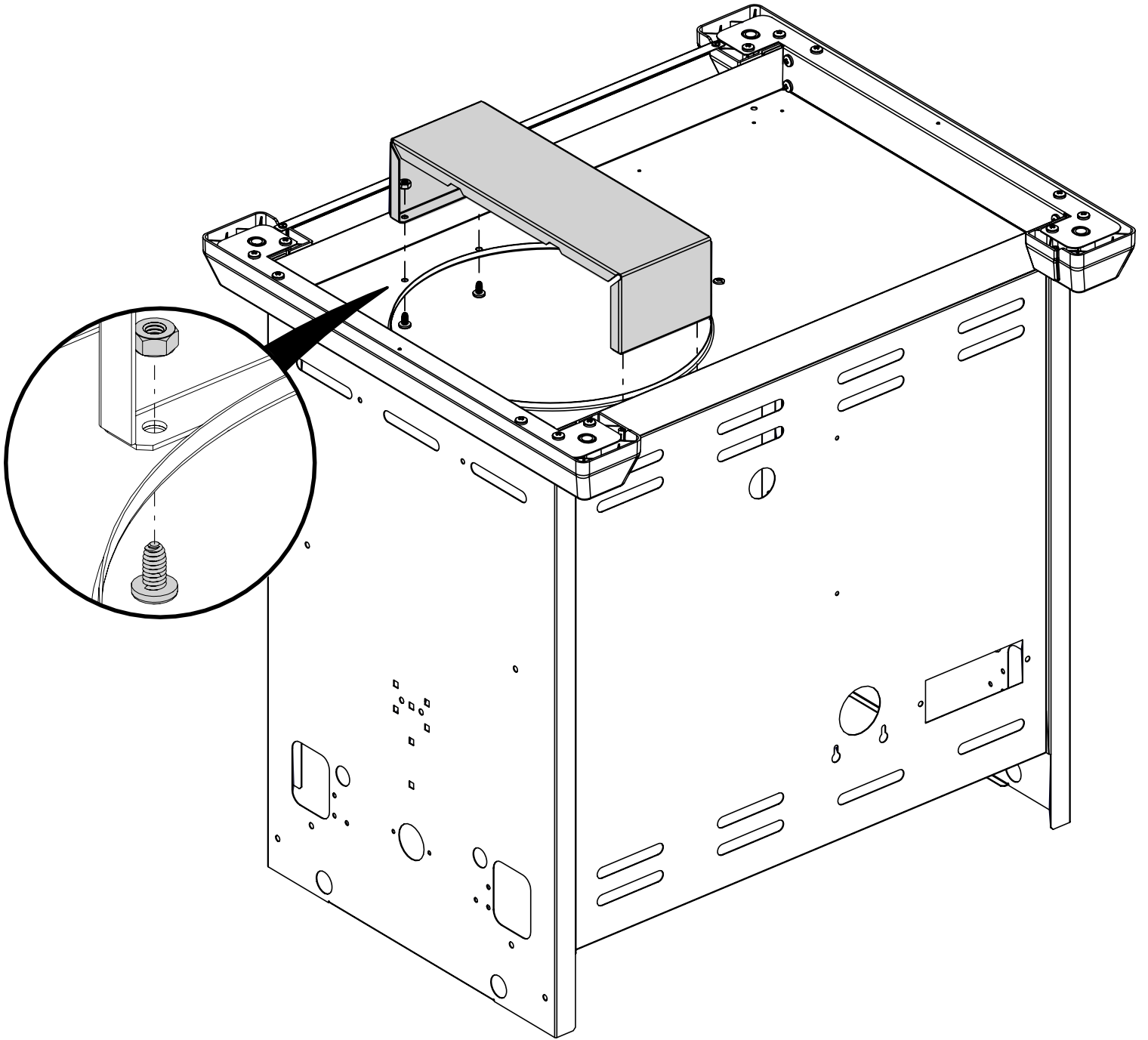
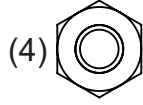
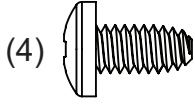


4


(8) 

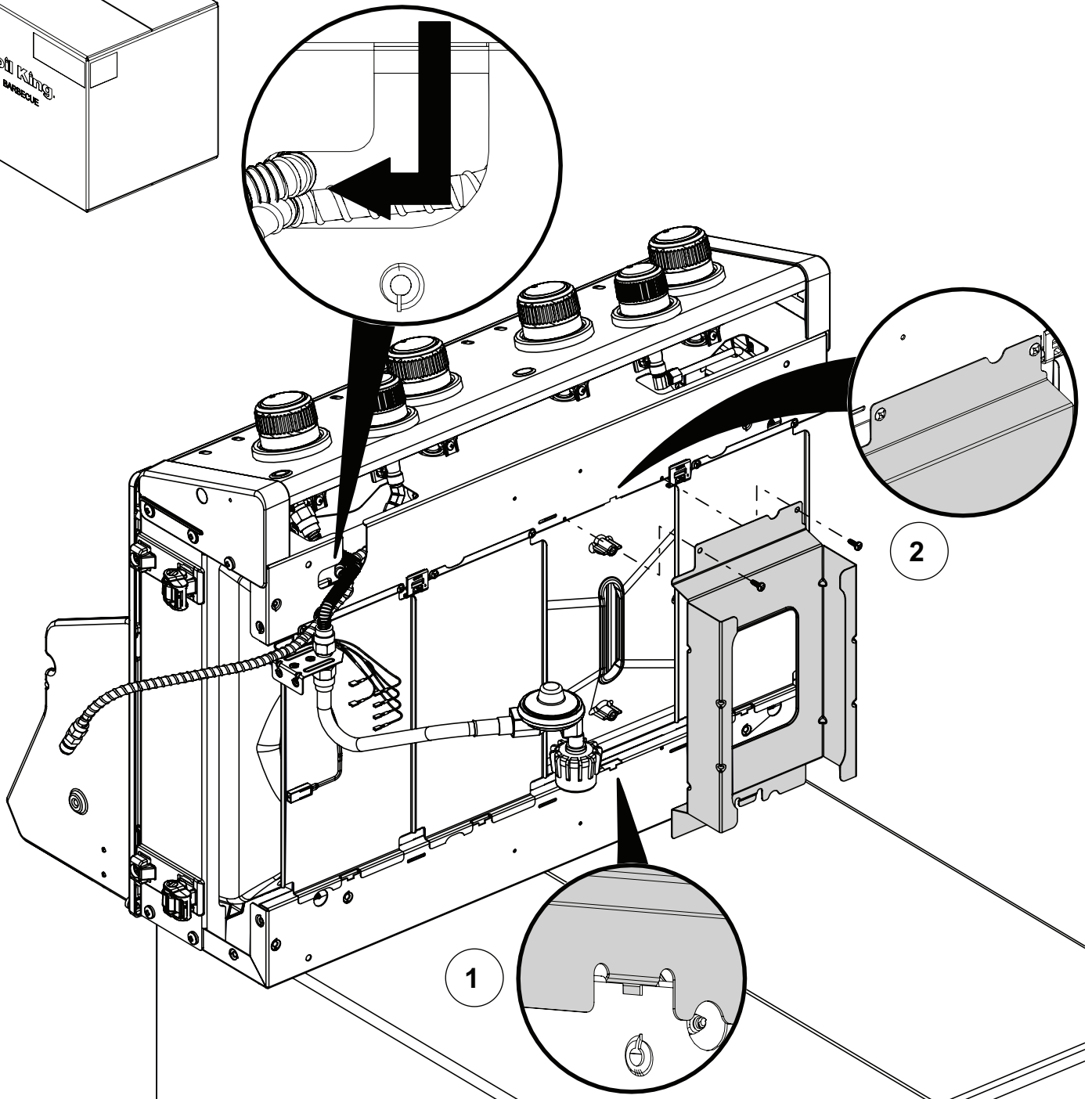
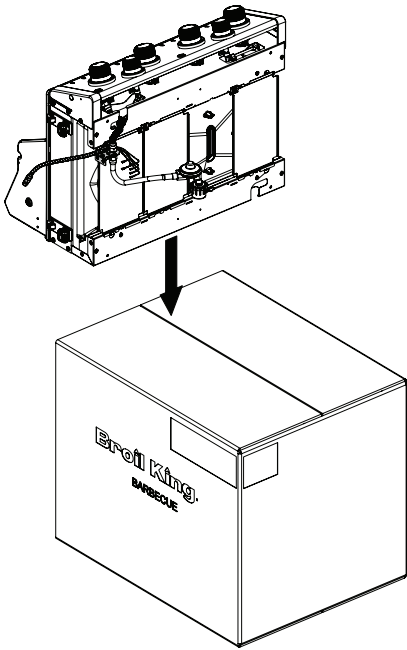


5



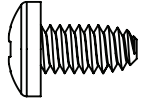
6

(2) 

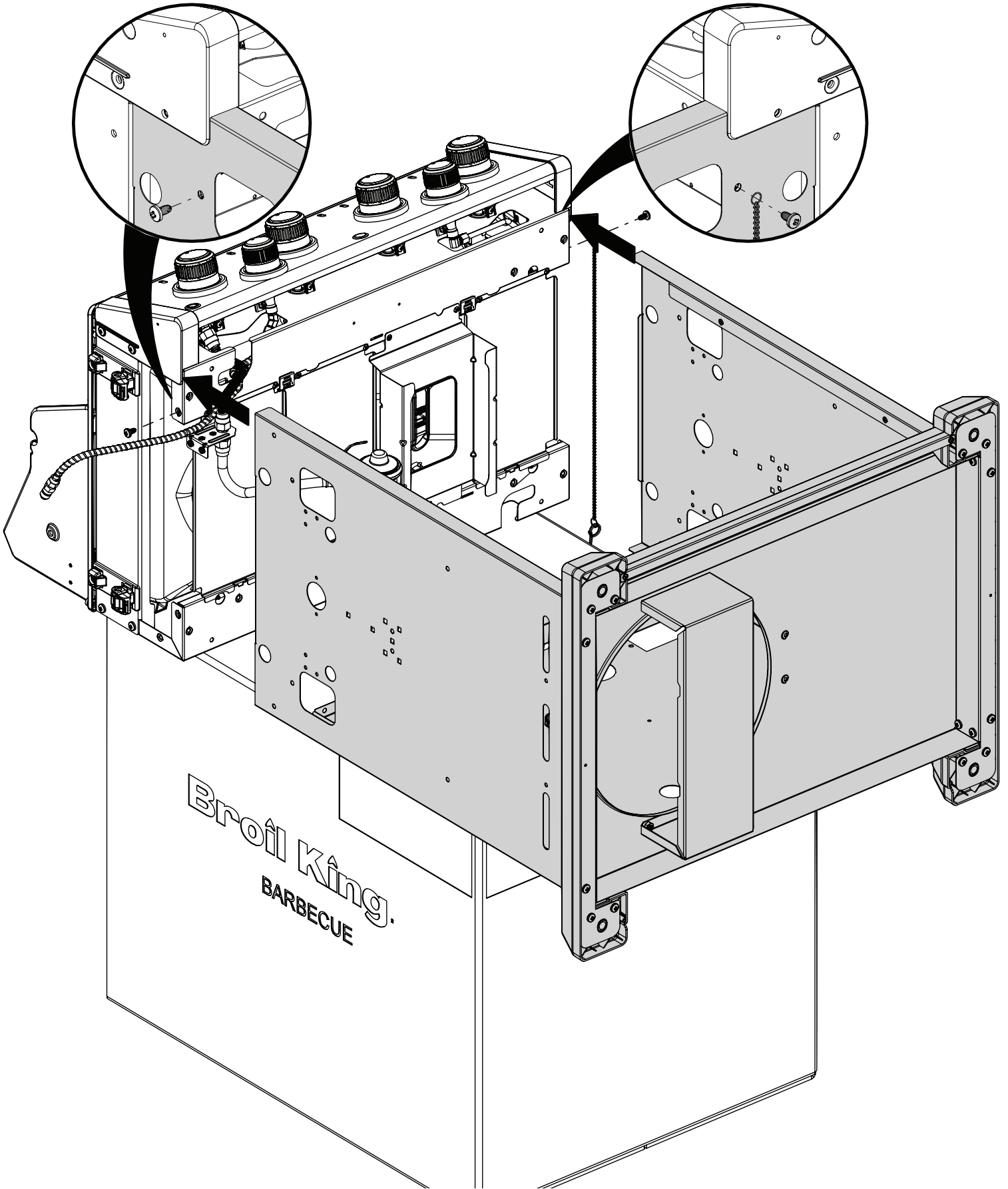


7

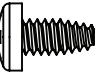
(2)

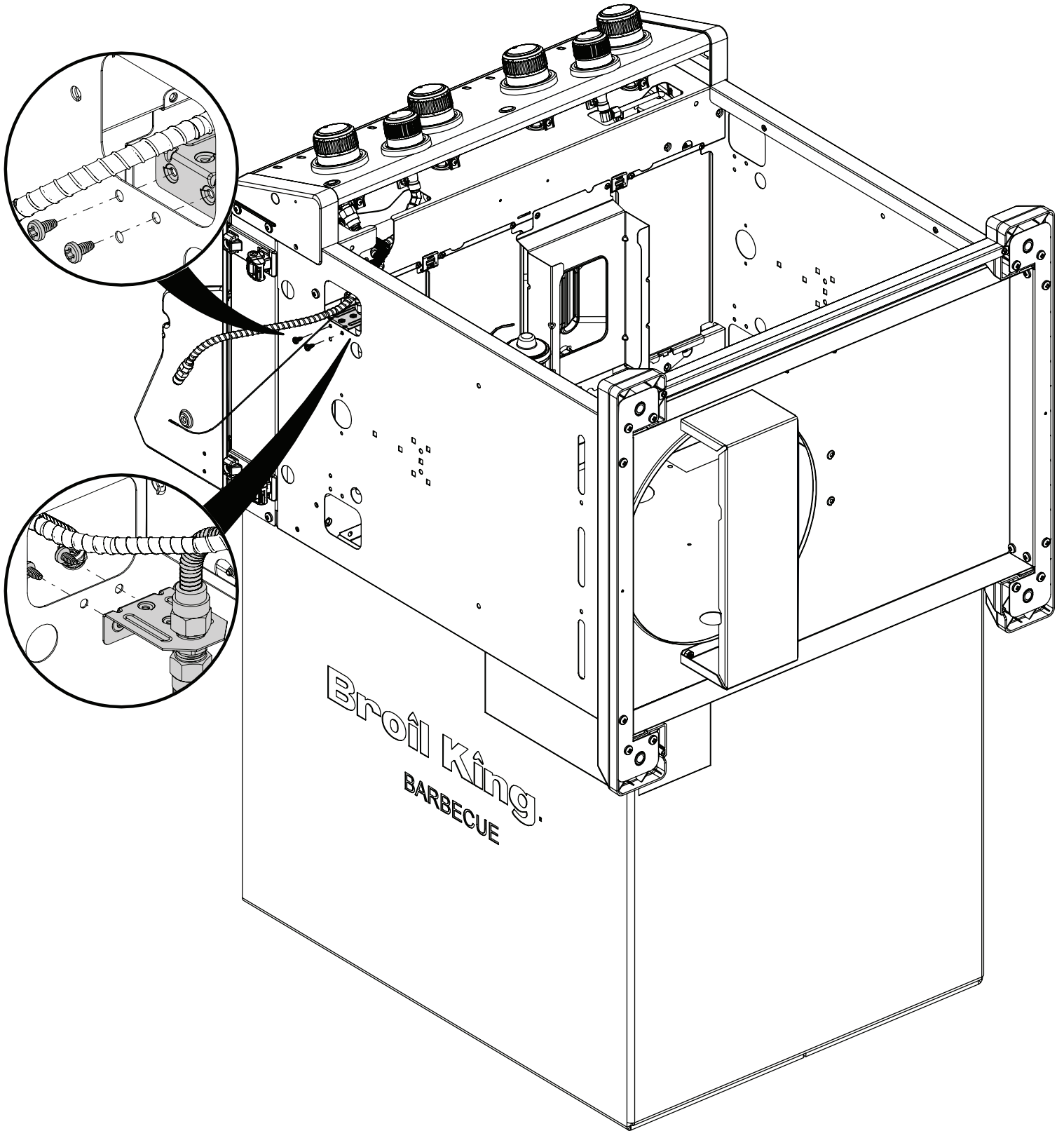


(1)

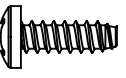


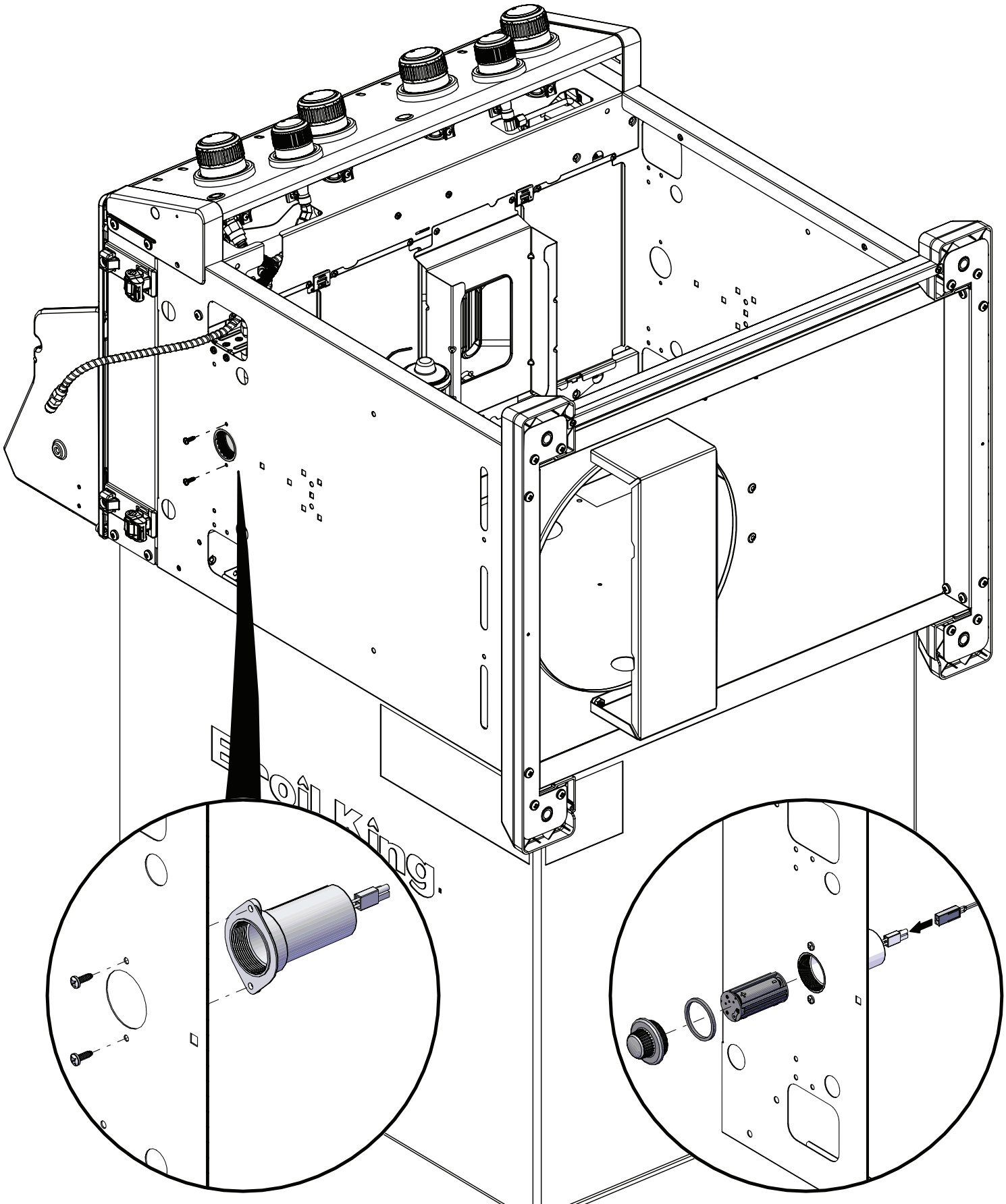
8

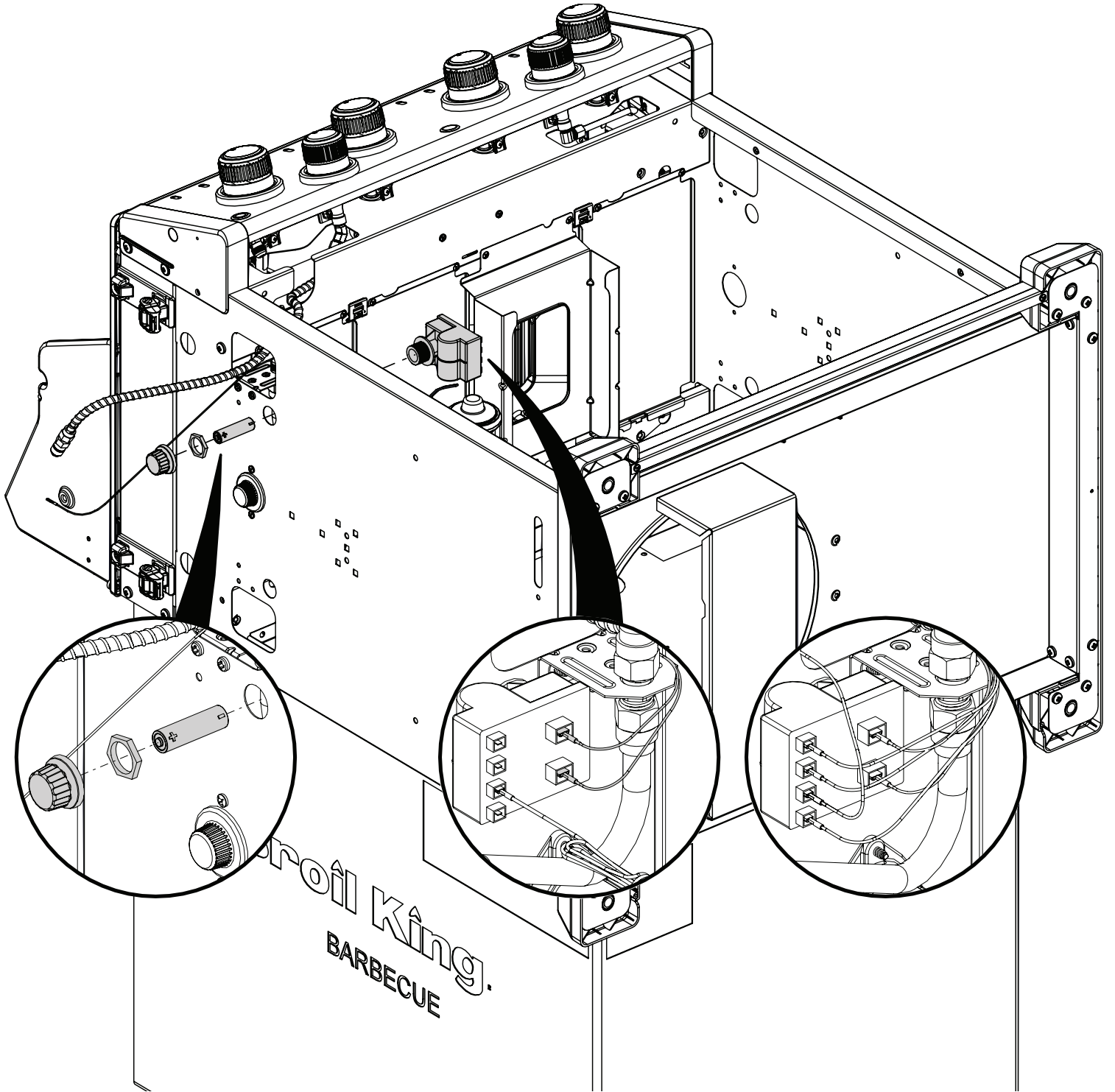
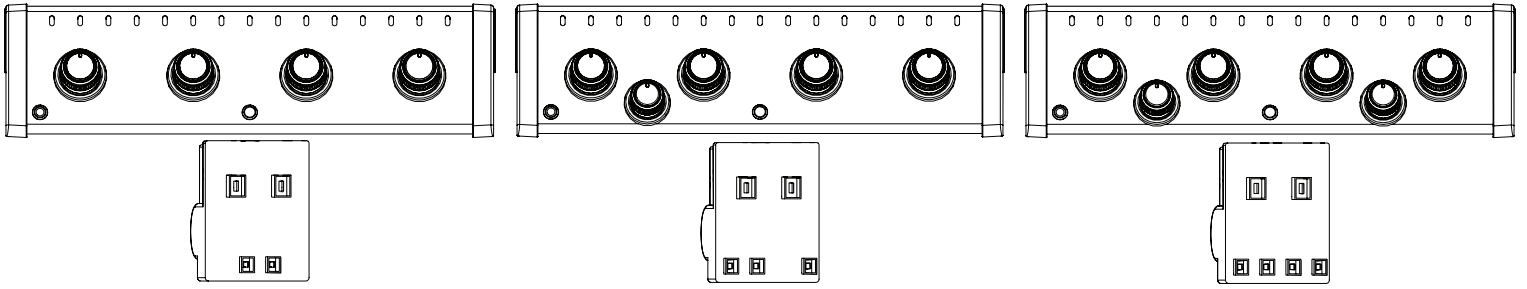
(2) 



9

(2) 



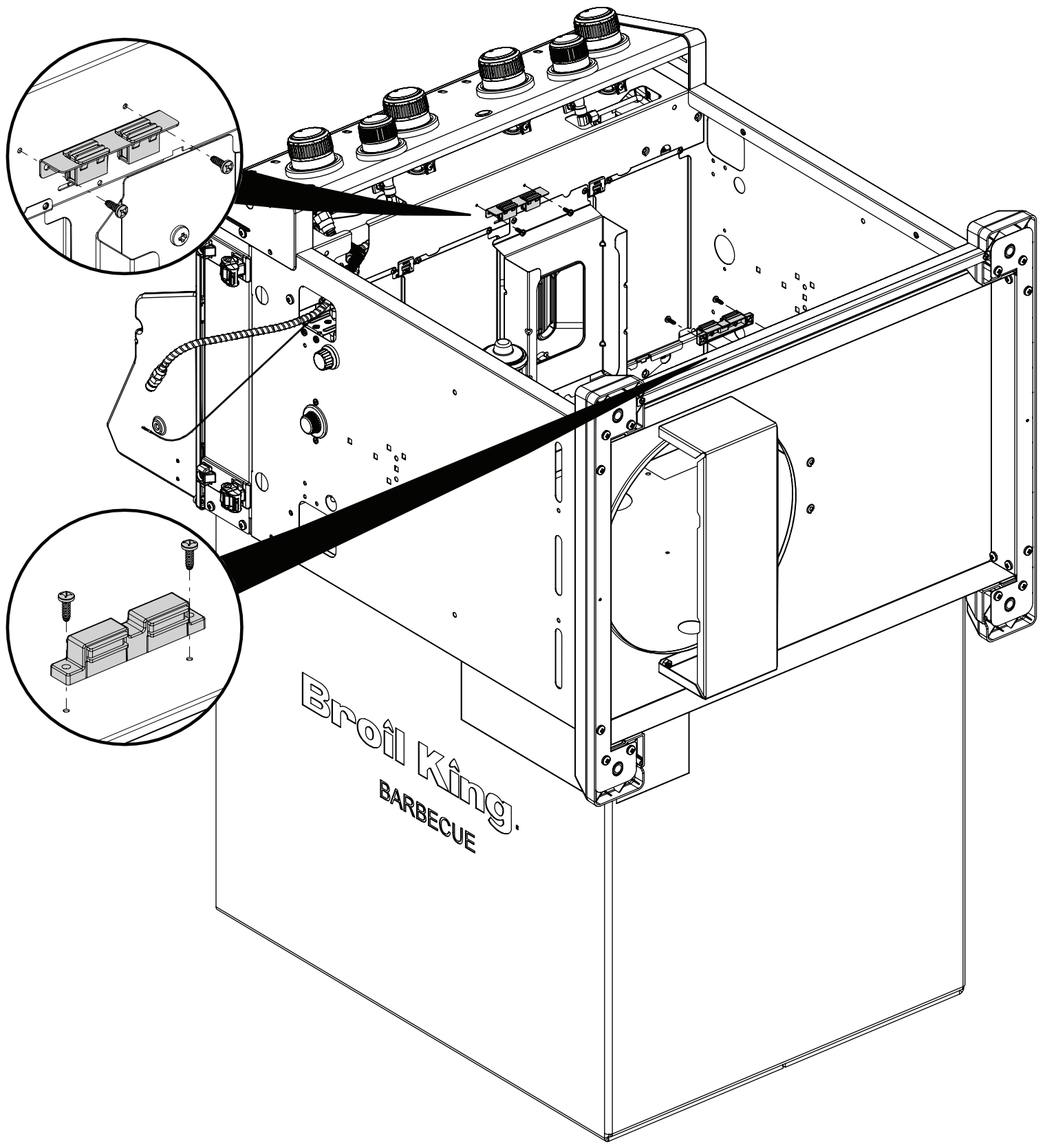
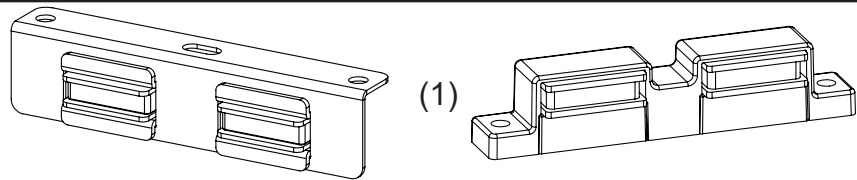


11

(4)

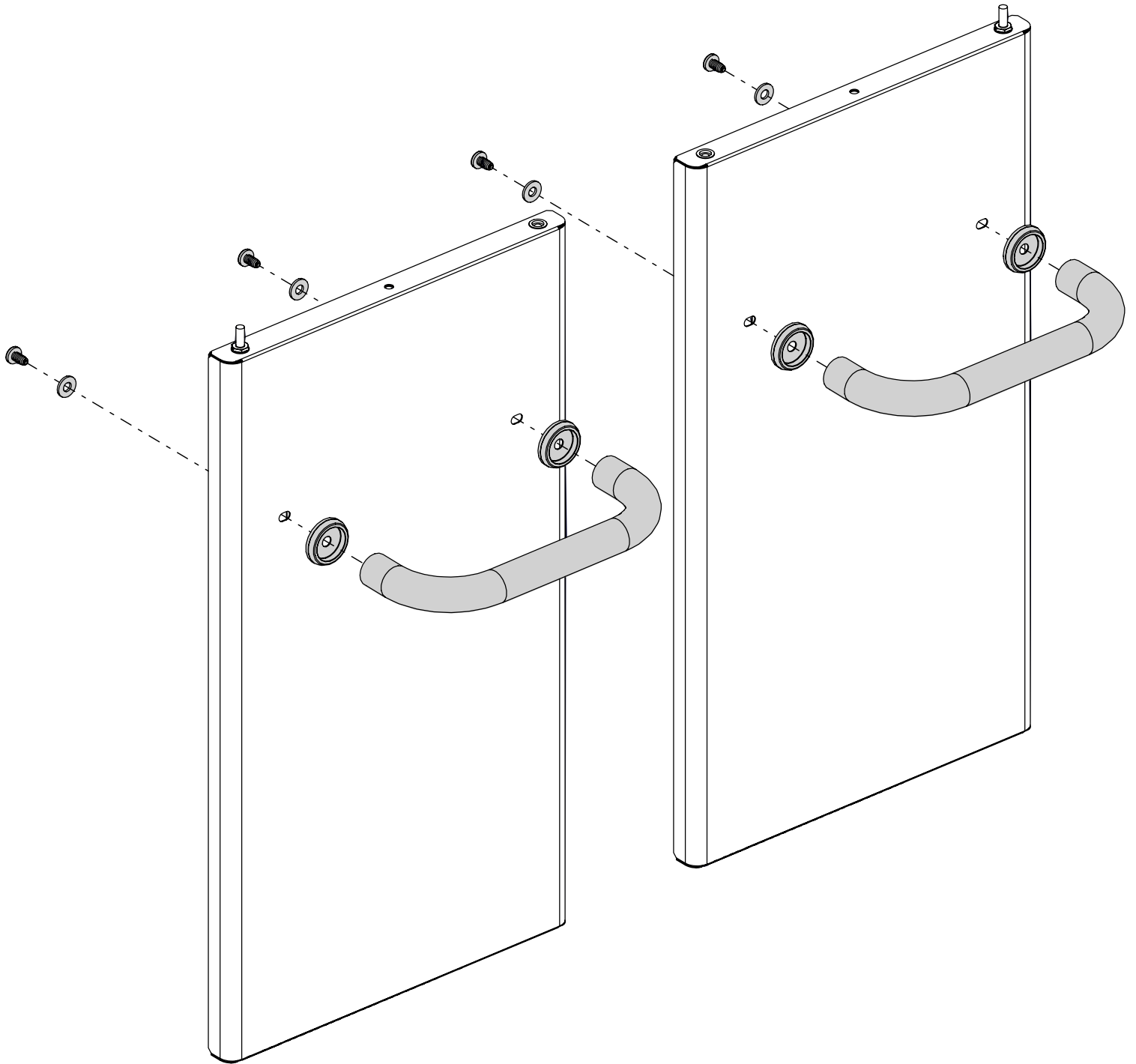
(1)

(1)

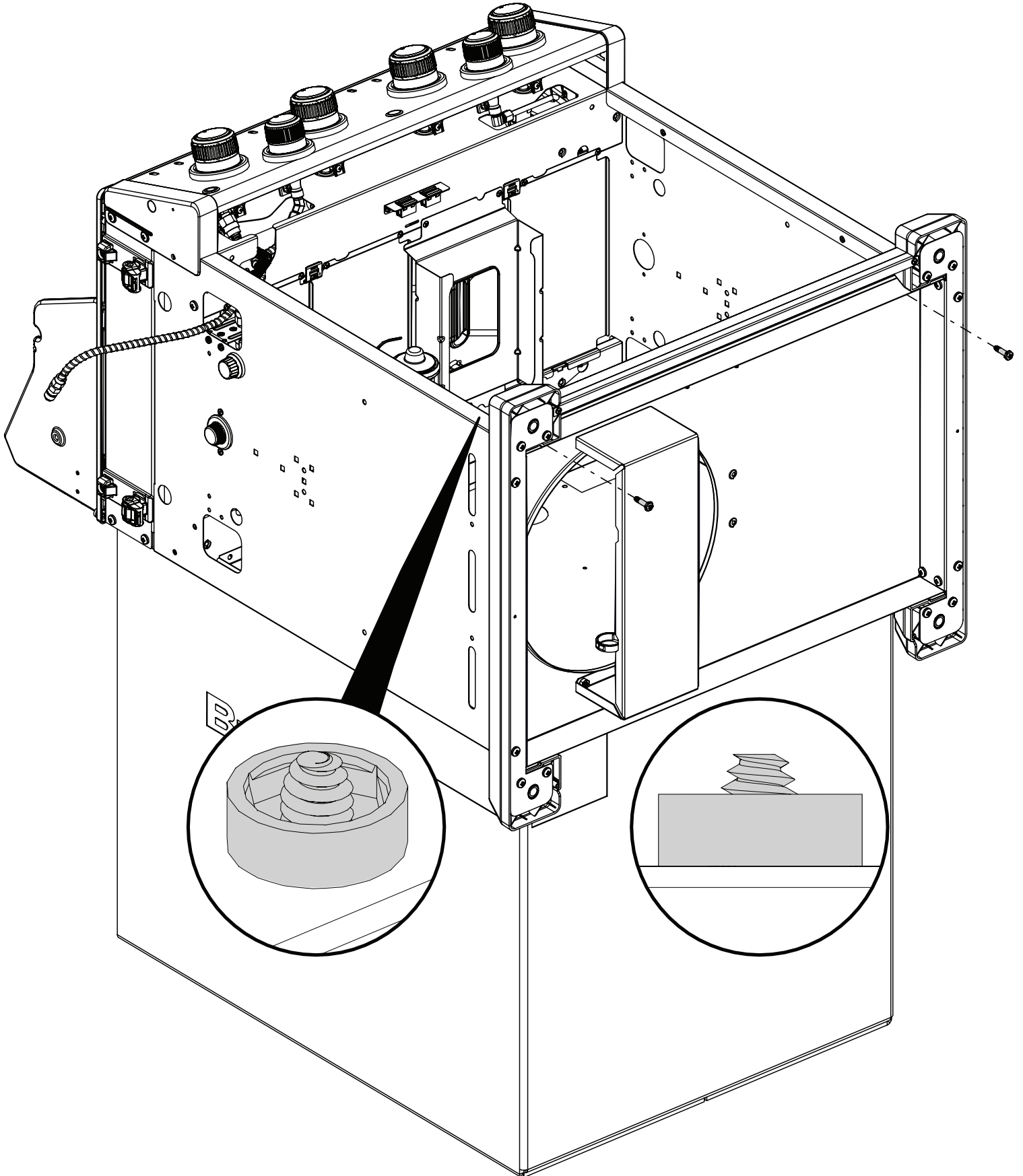
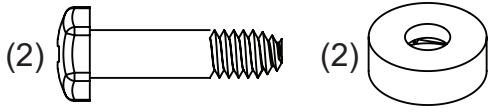


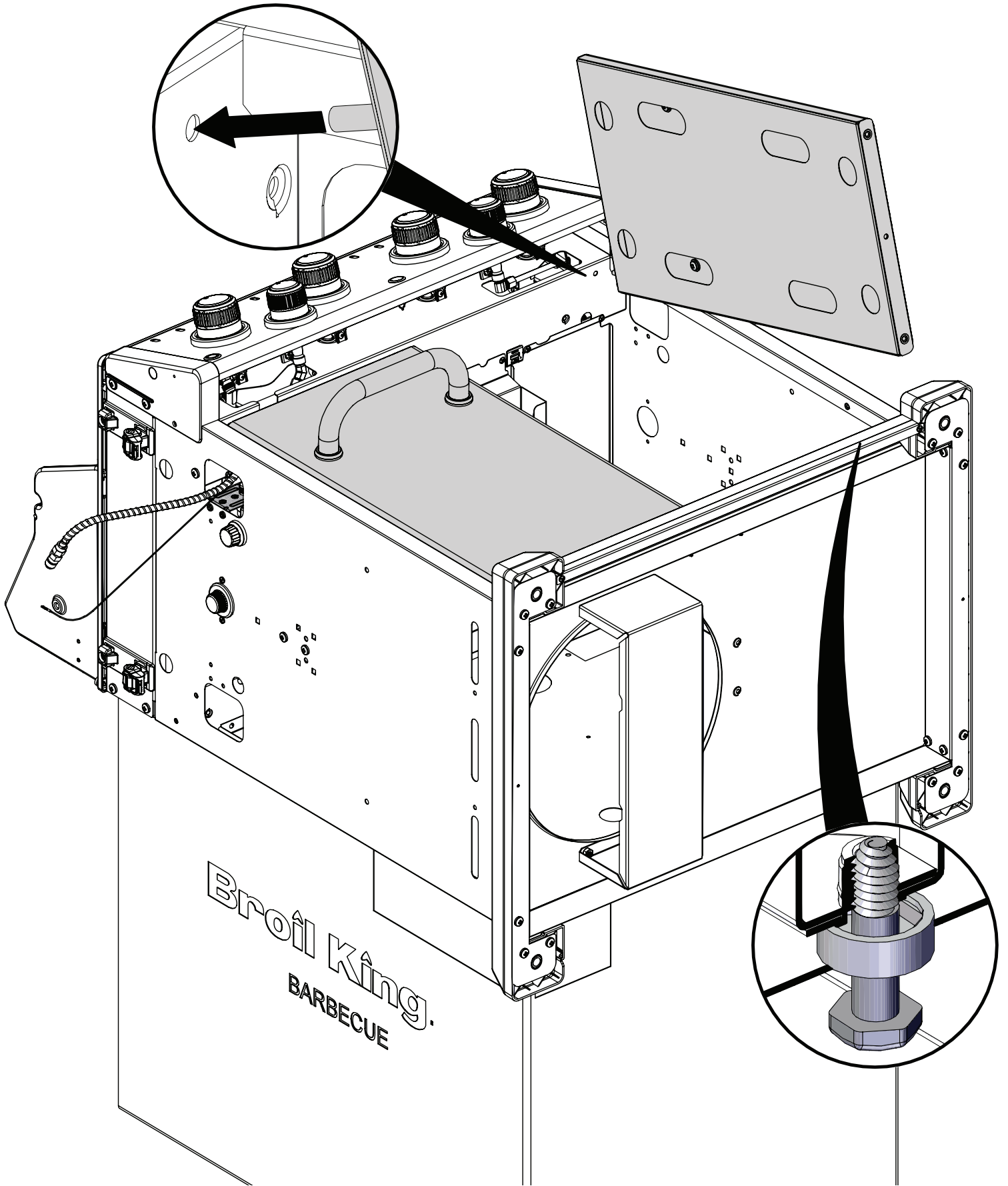
Broil King
BARBECUE

12



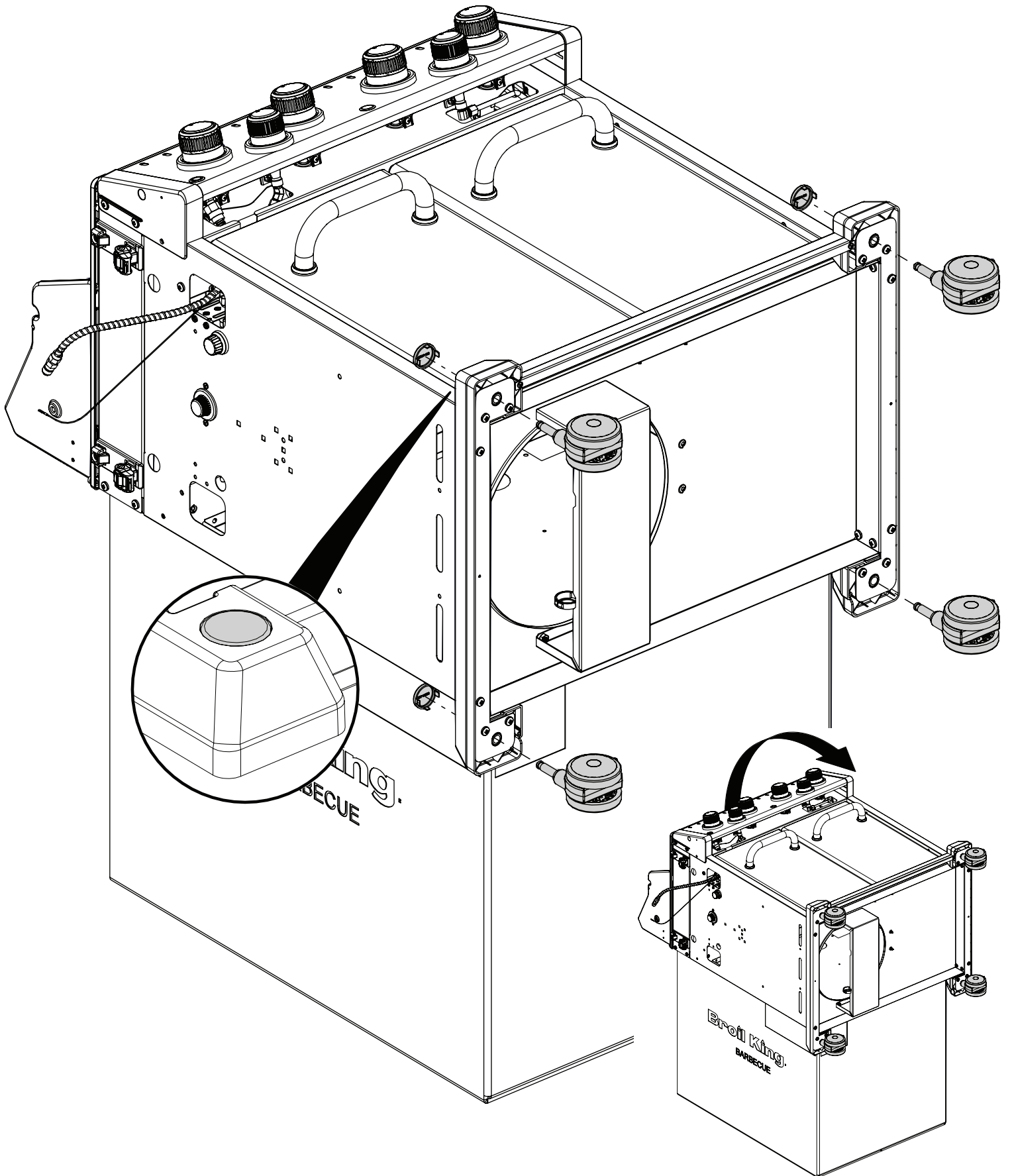
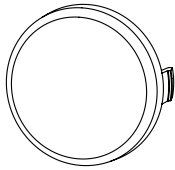
13





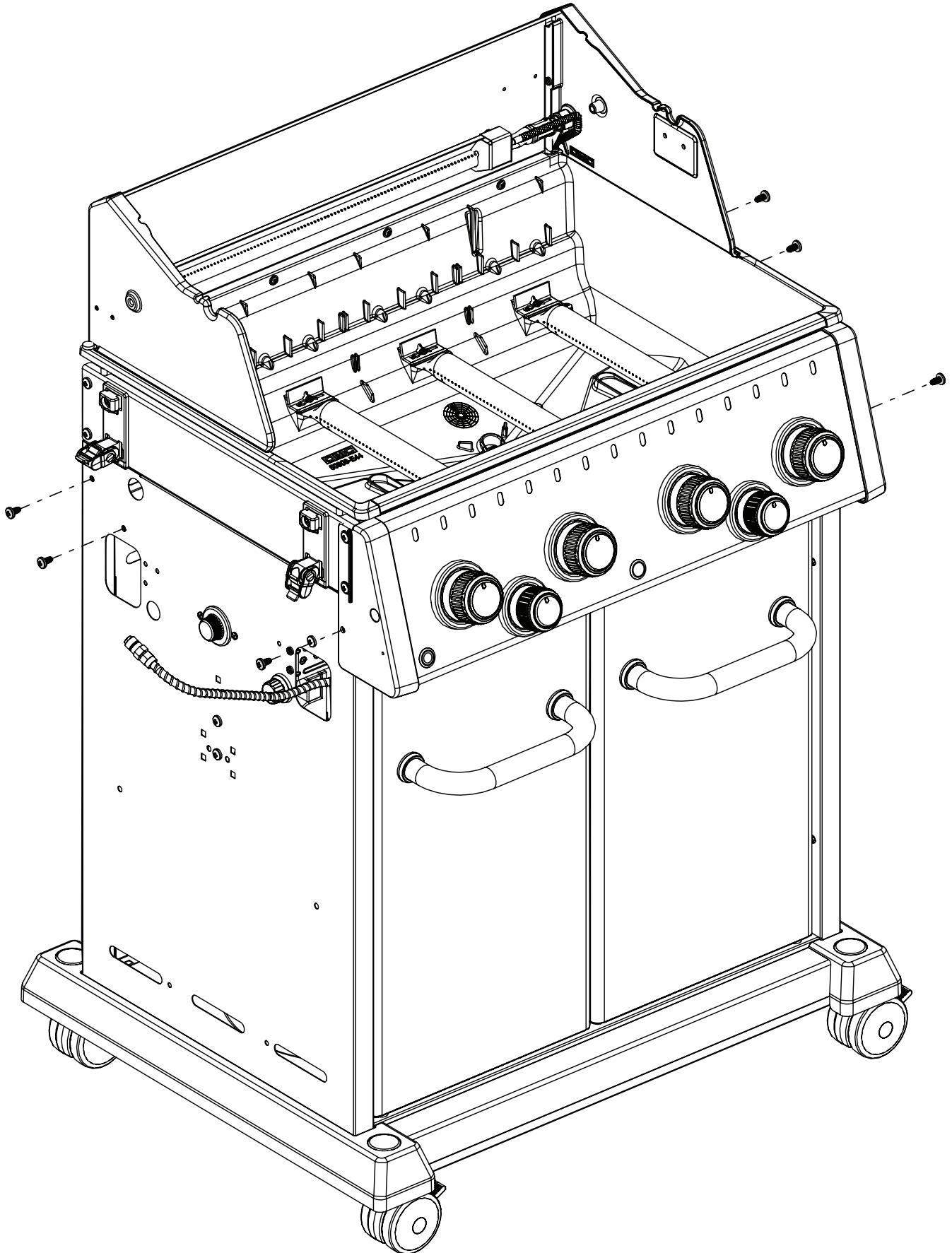
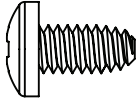
15

(4)

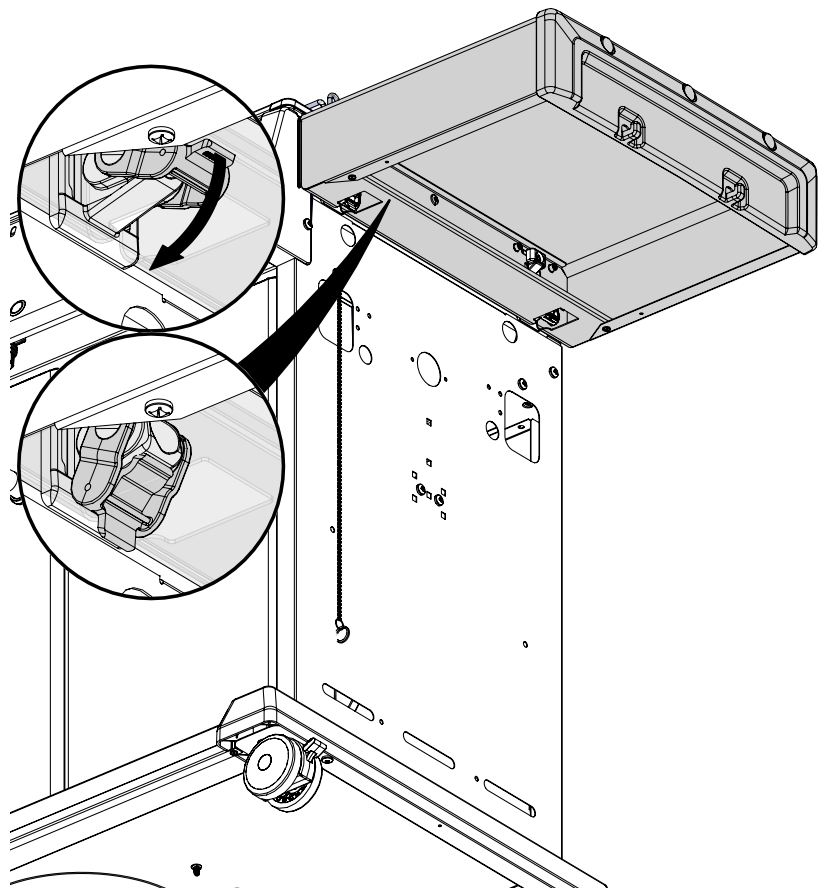
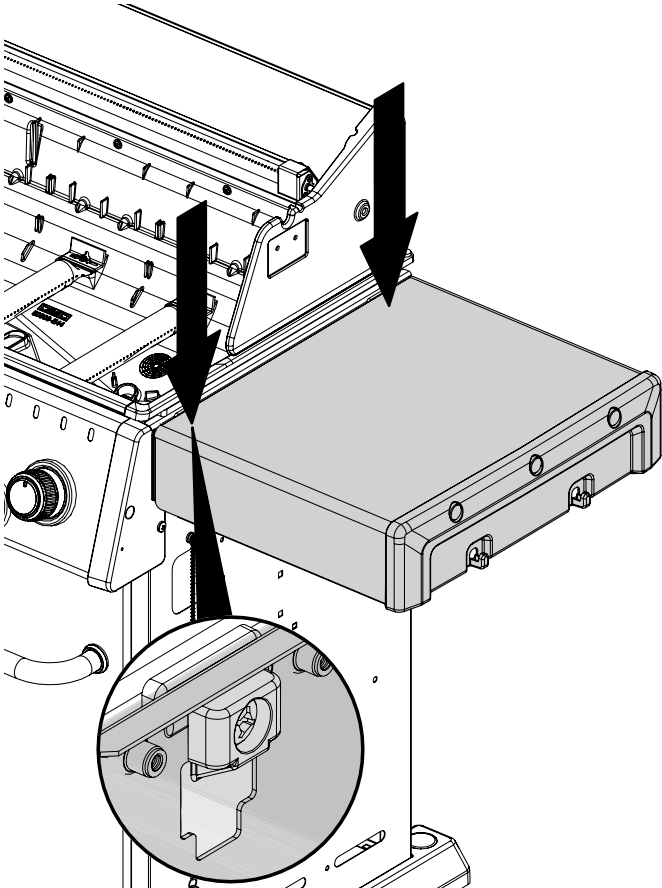
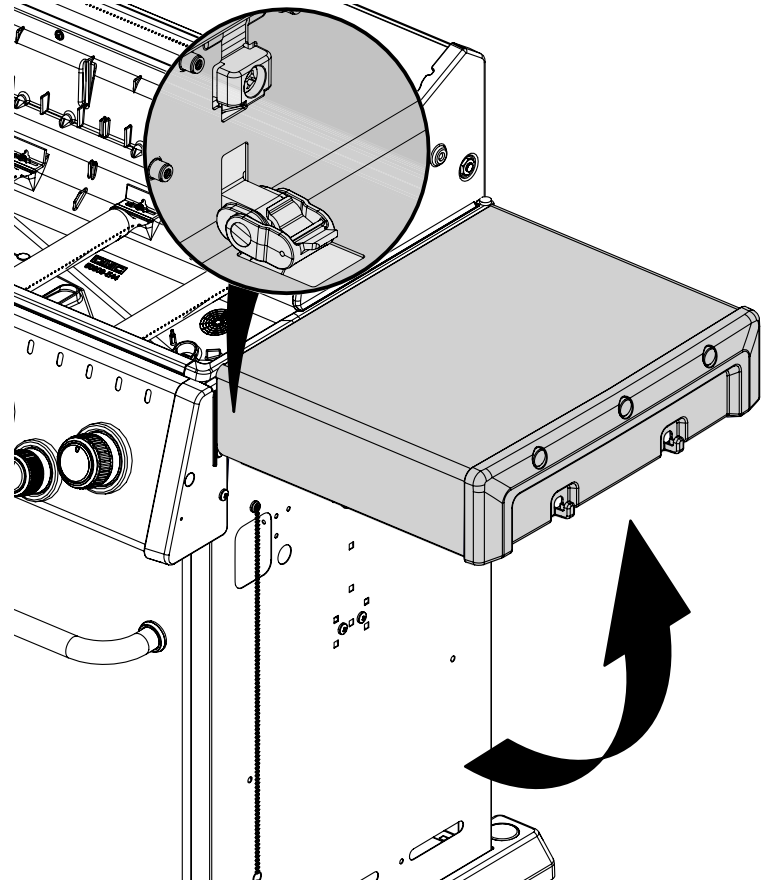
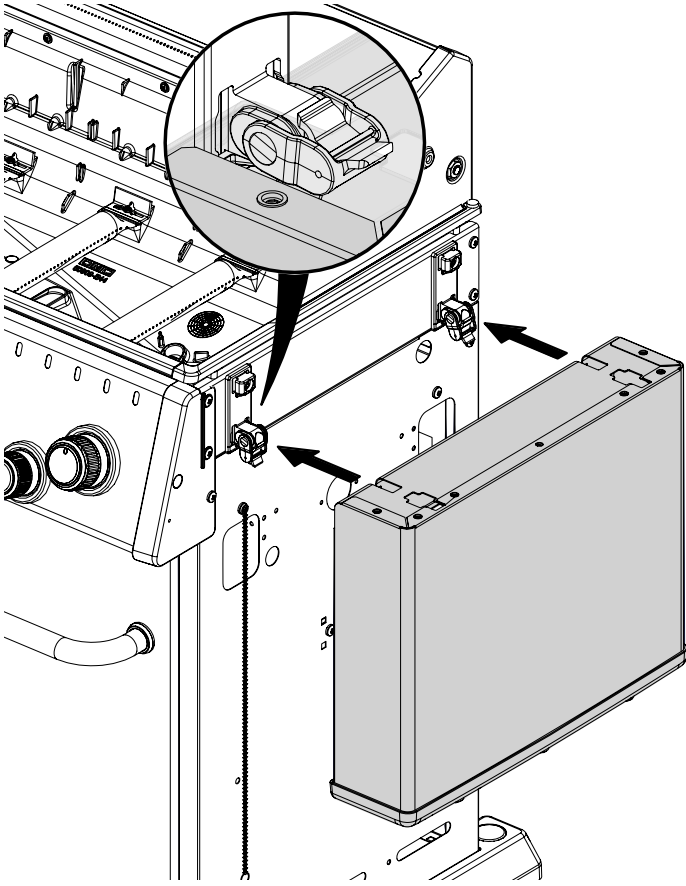


16

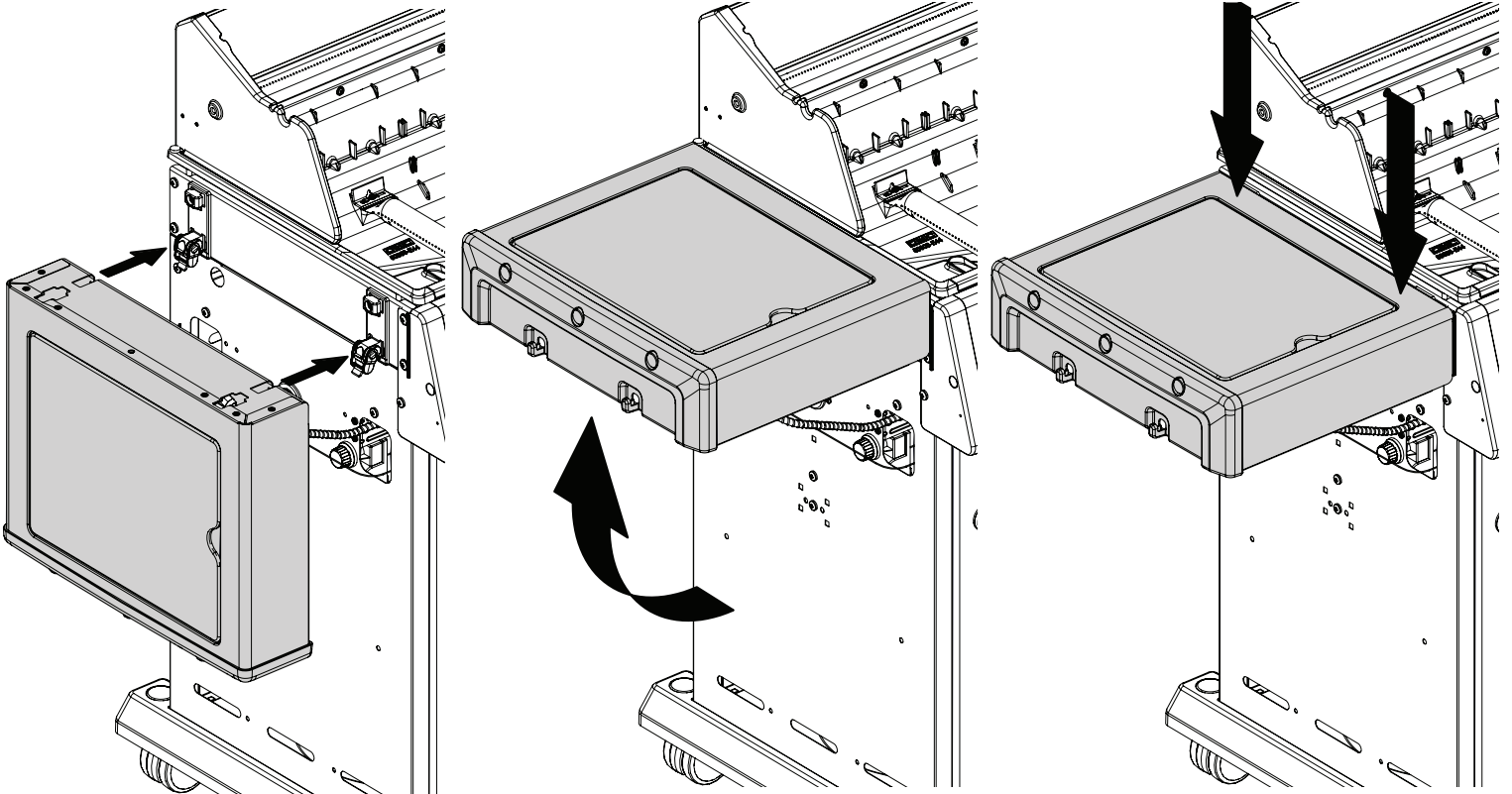
(6)



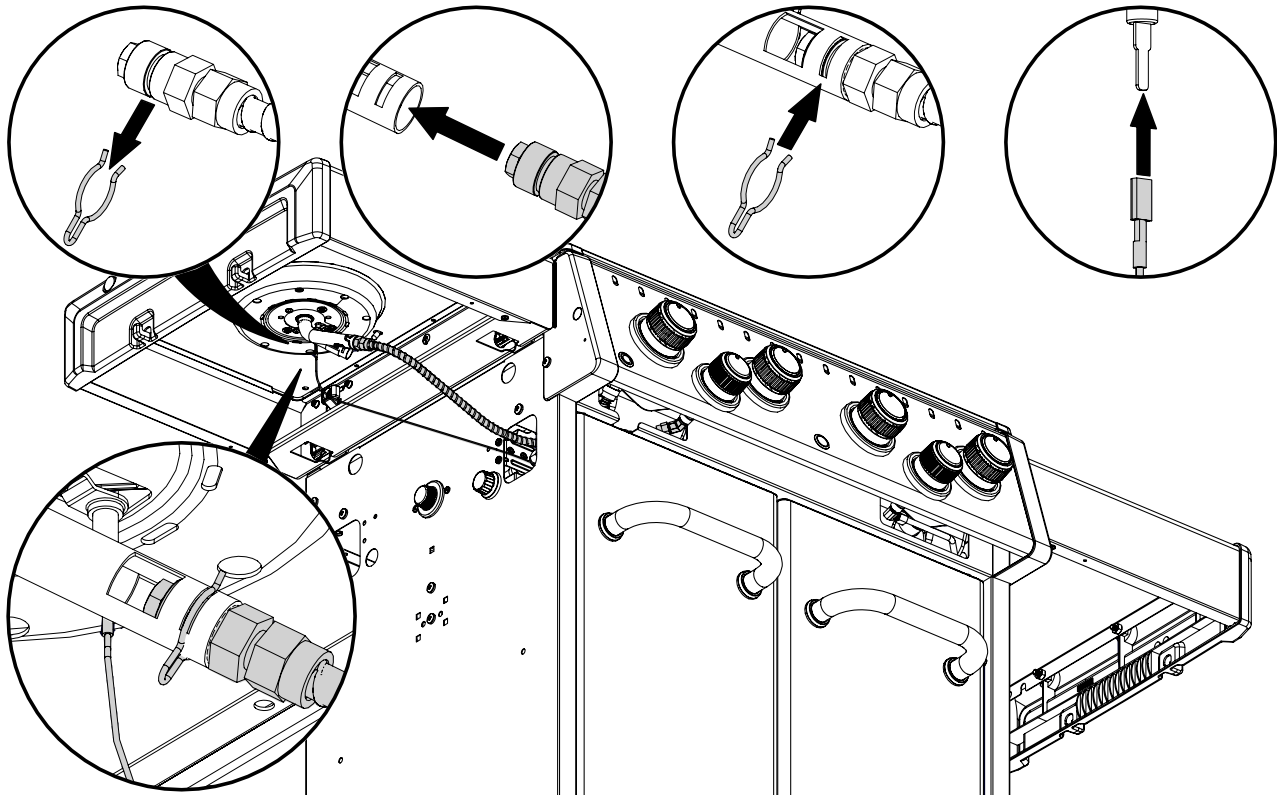
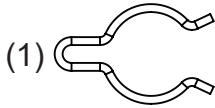
17

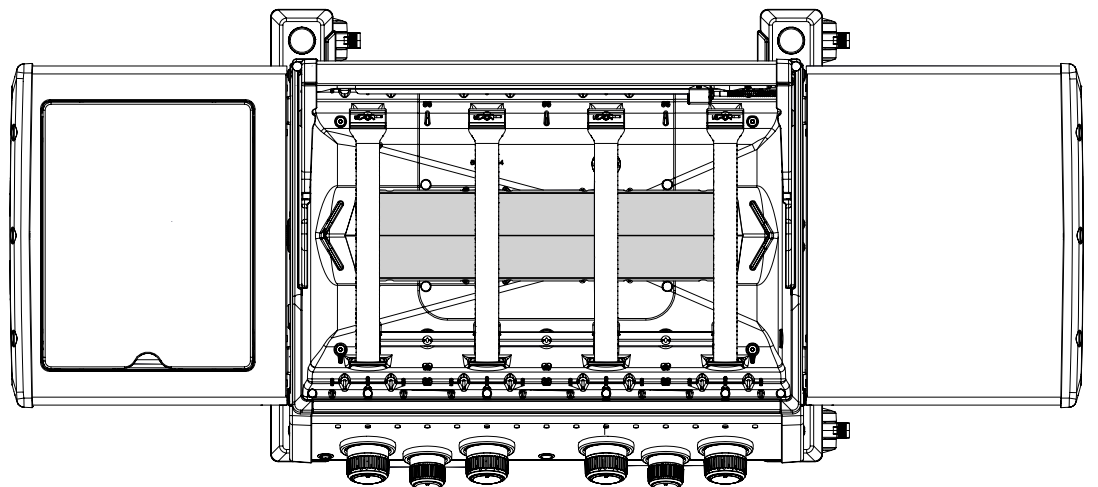
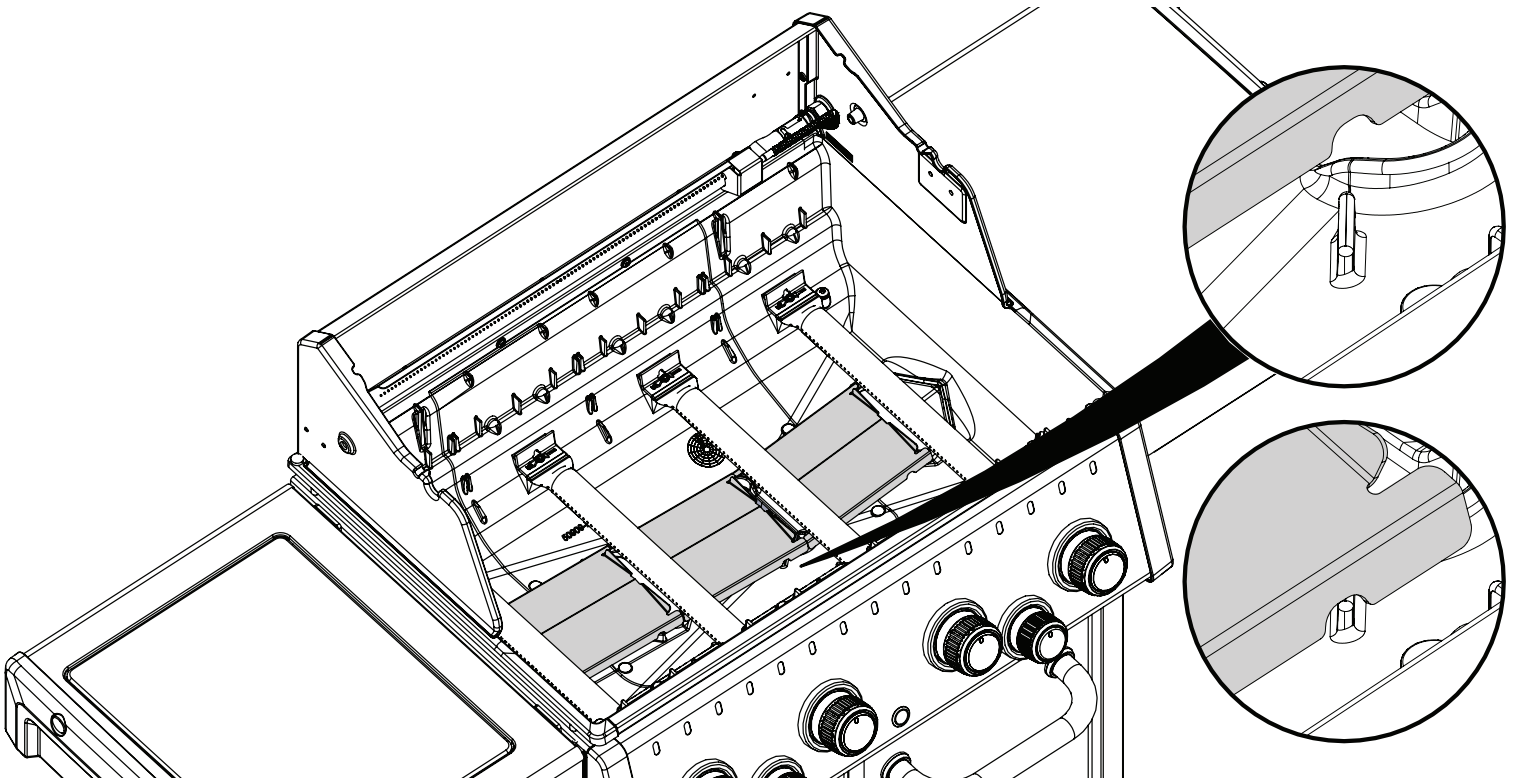
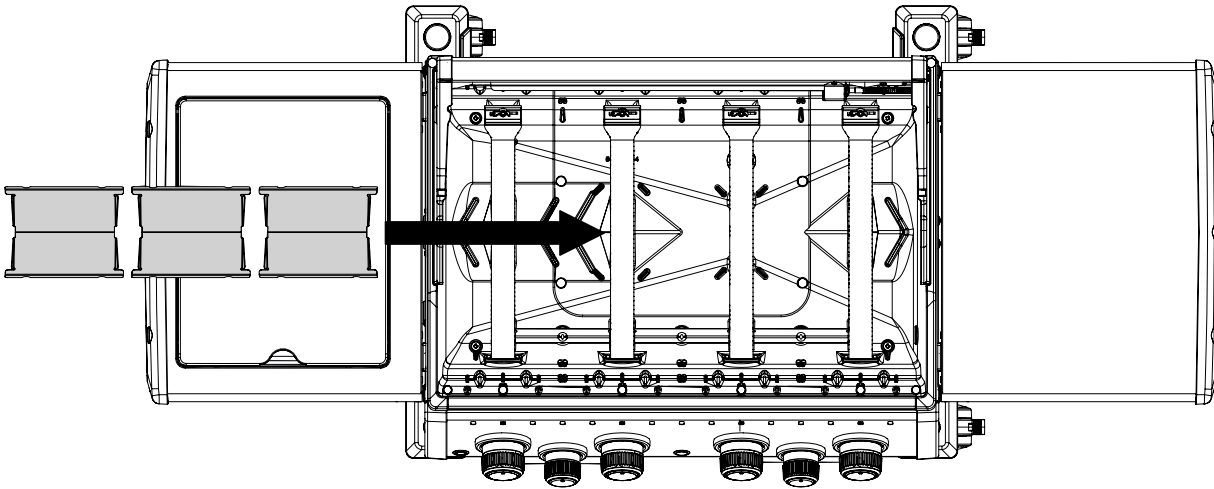


18

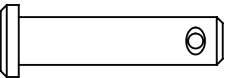
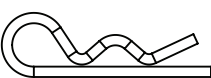


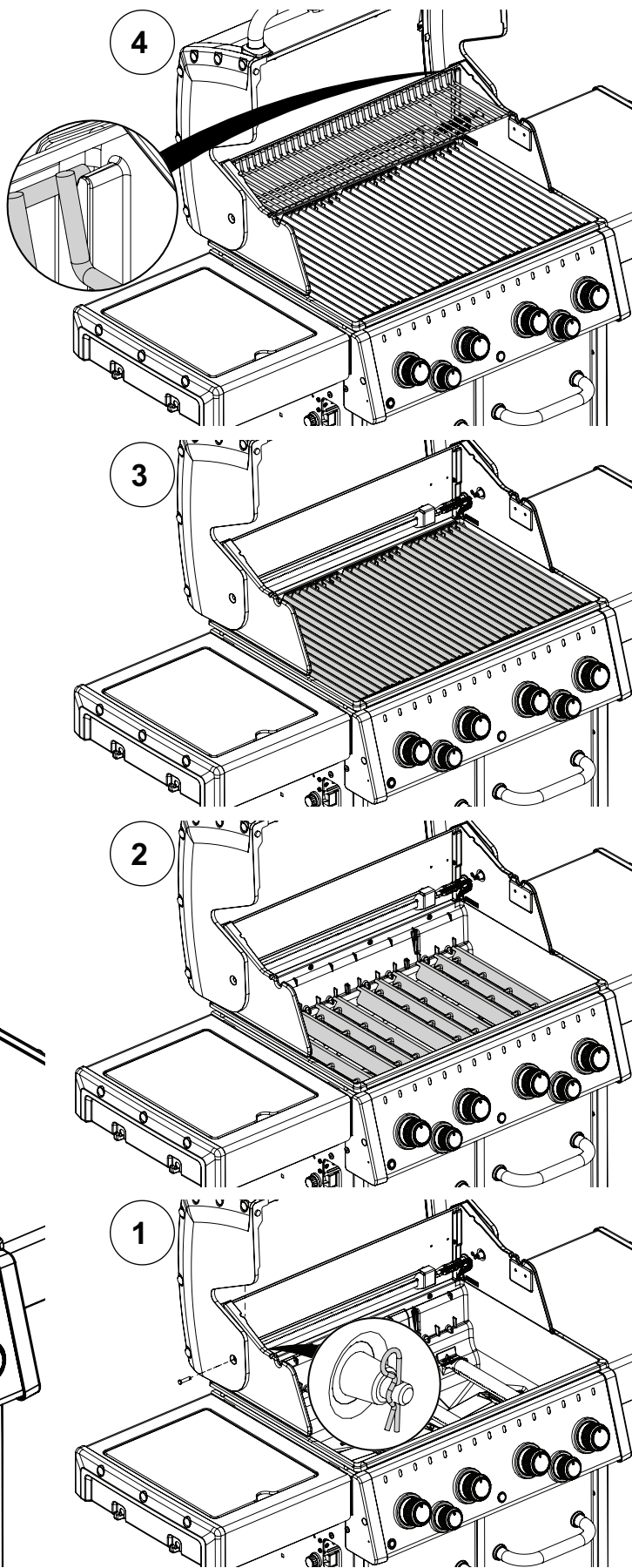
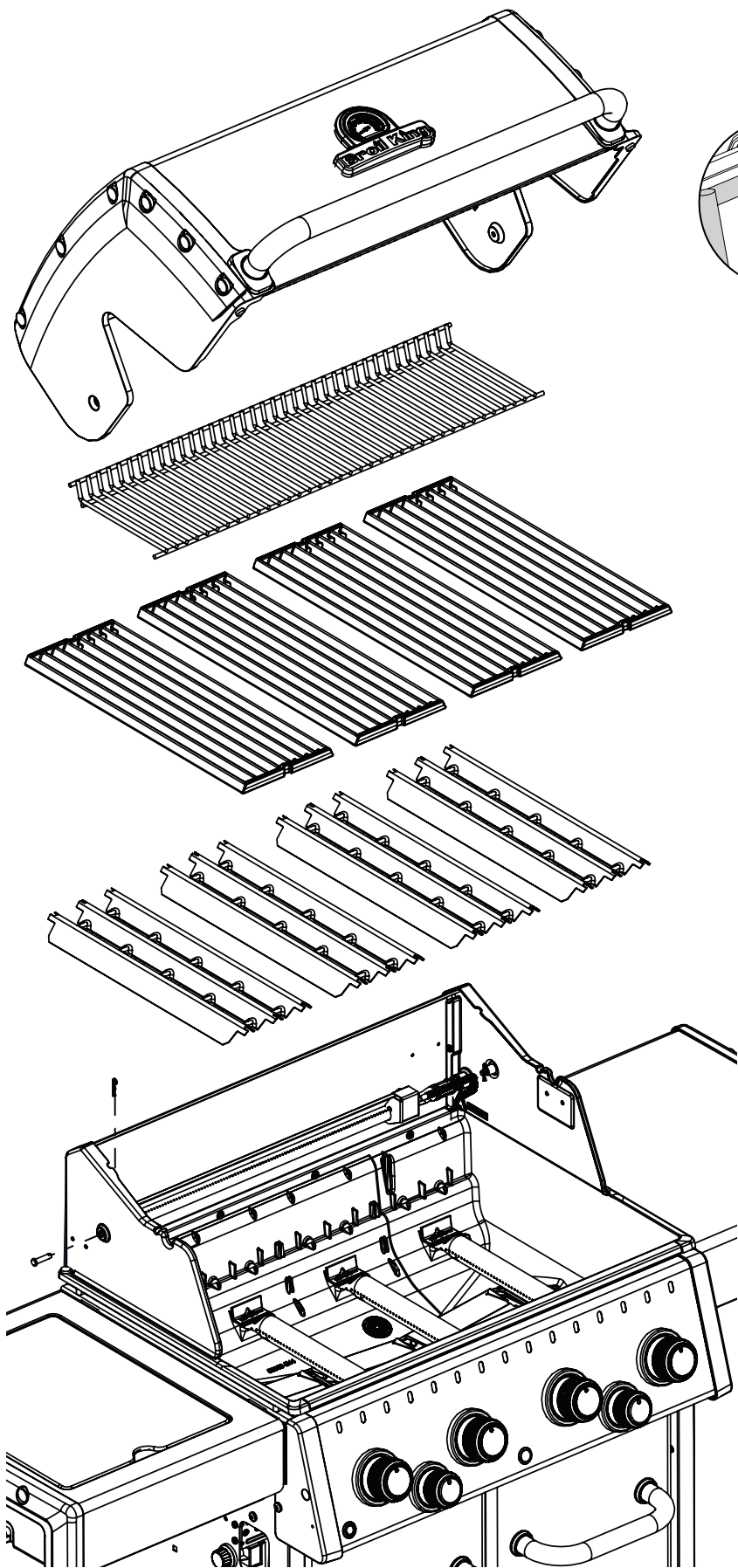
19

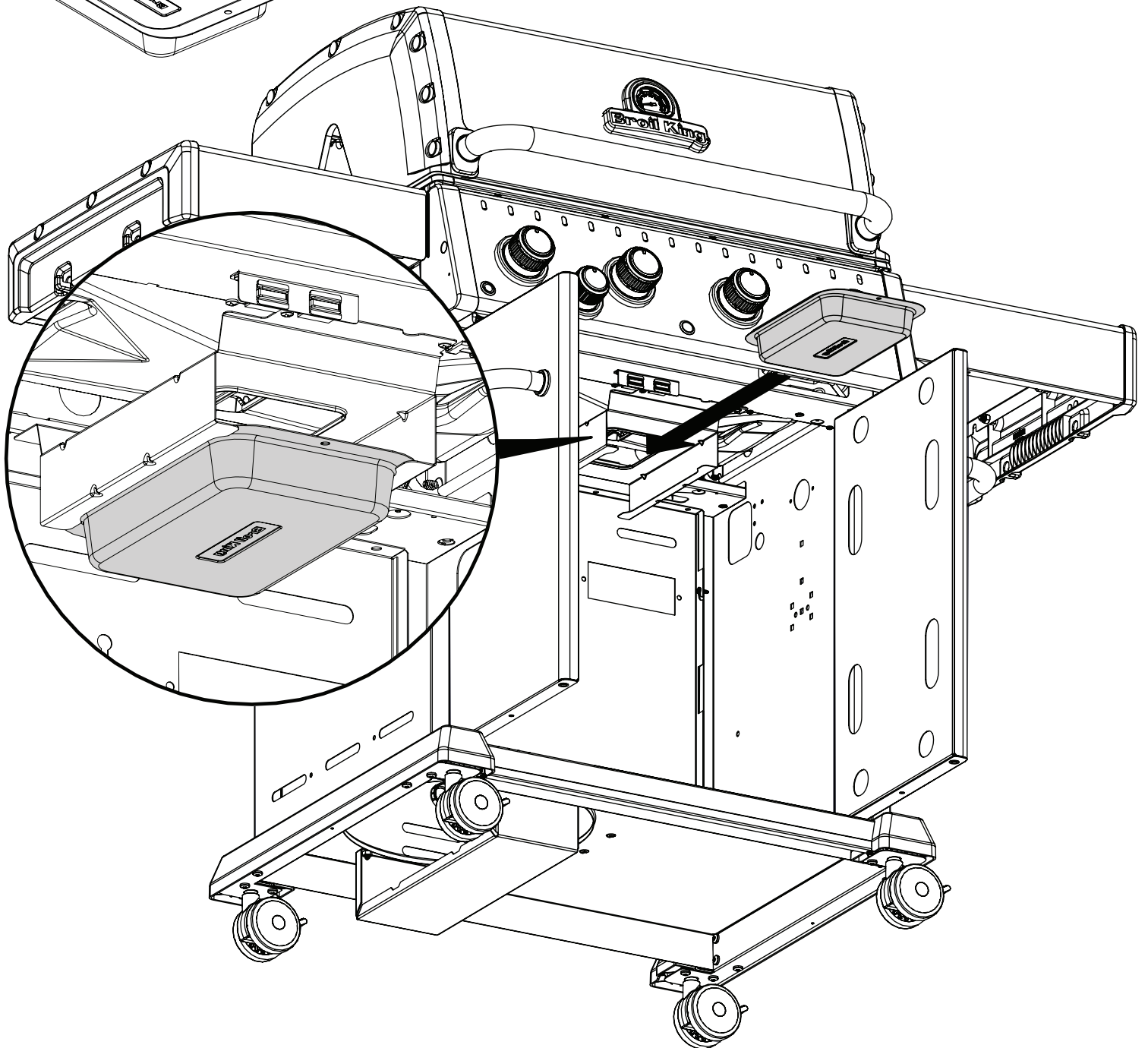
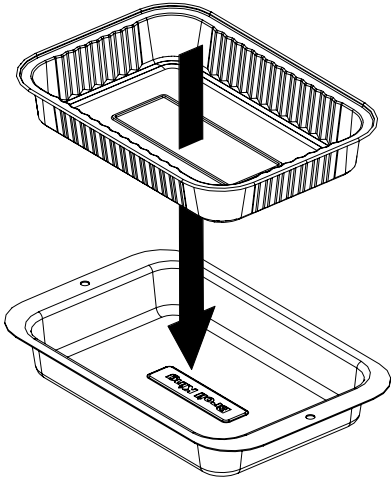




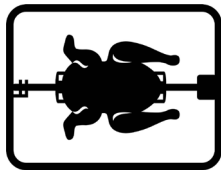
21

- (2) 
- (2) 

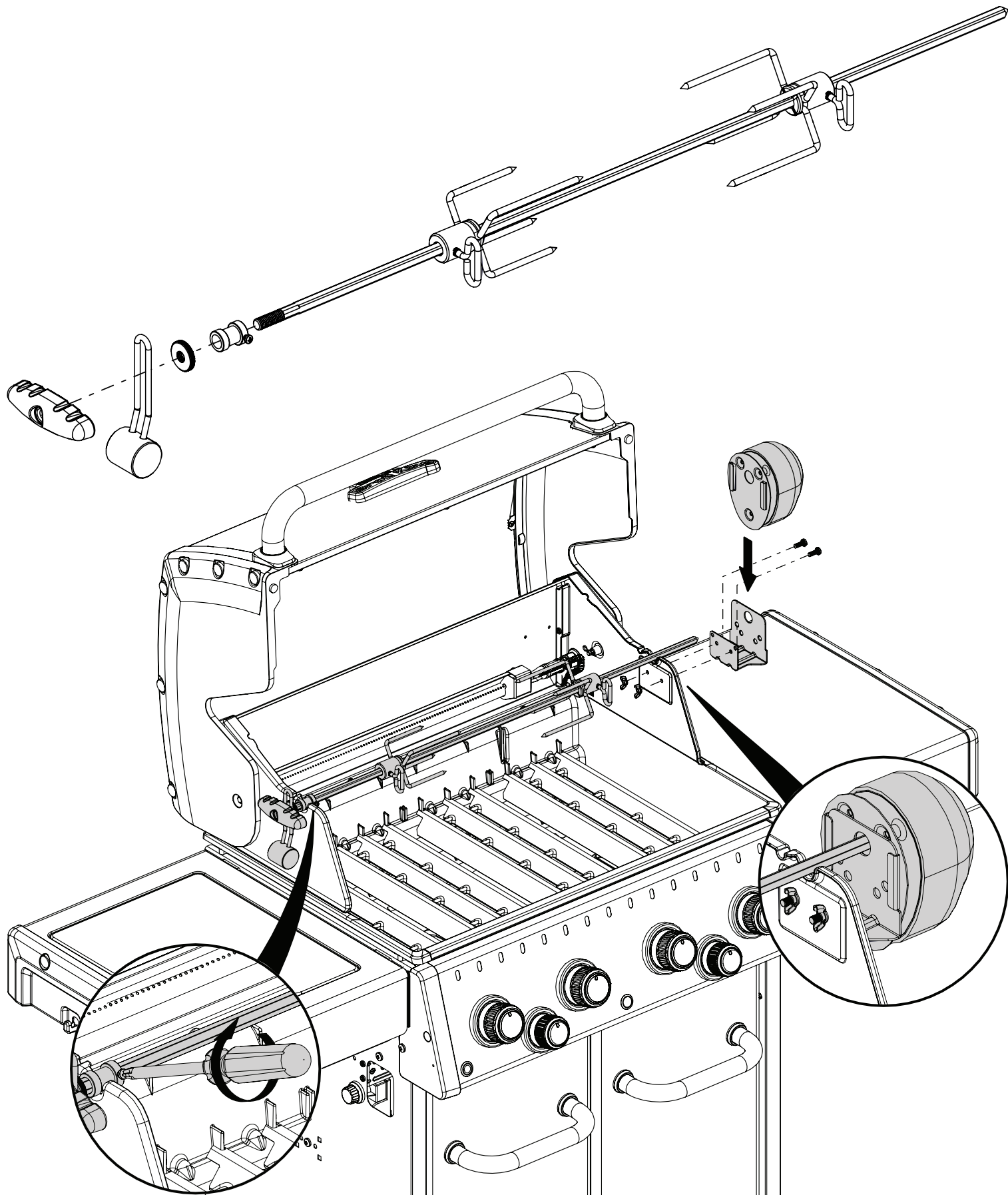


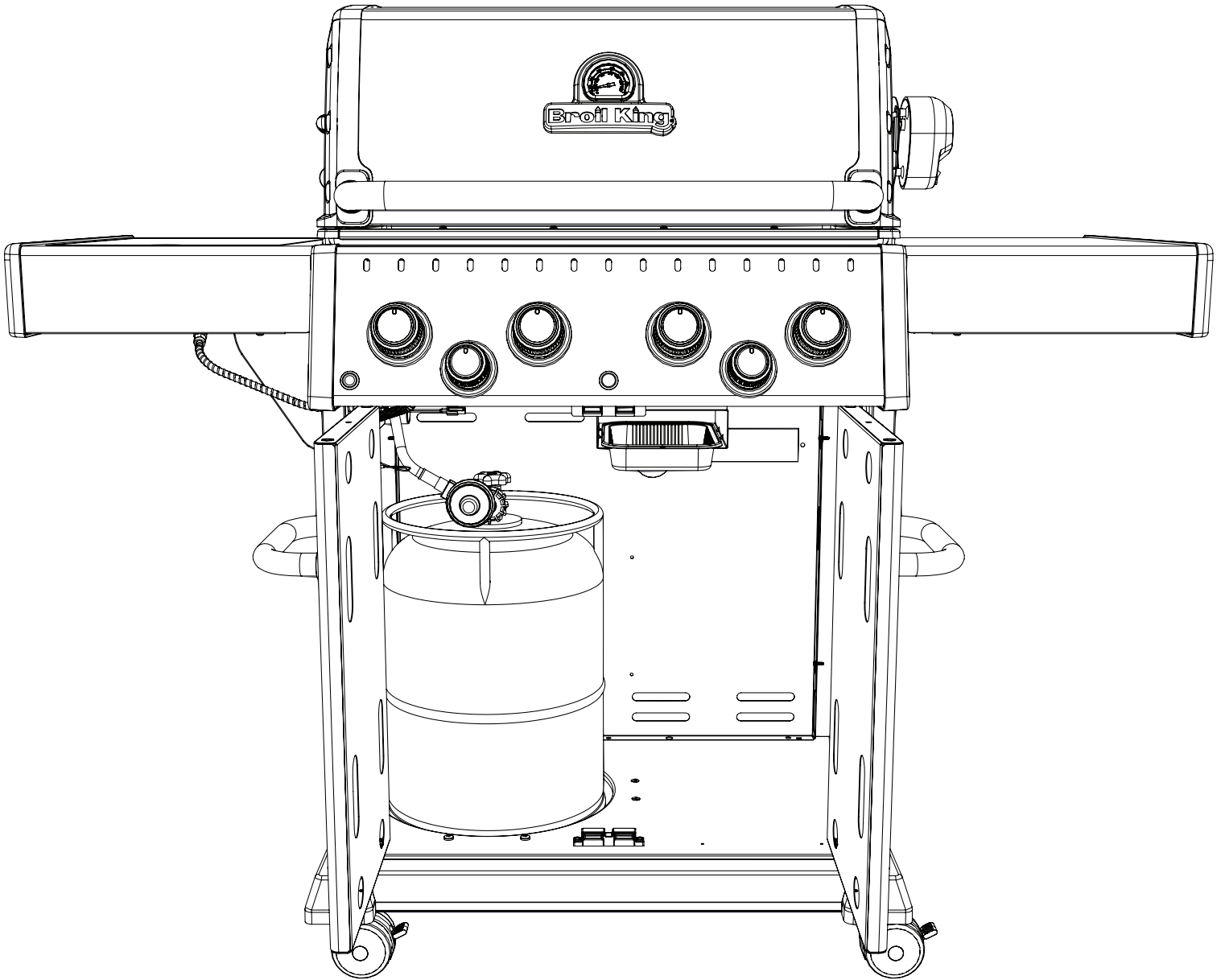


23

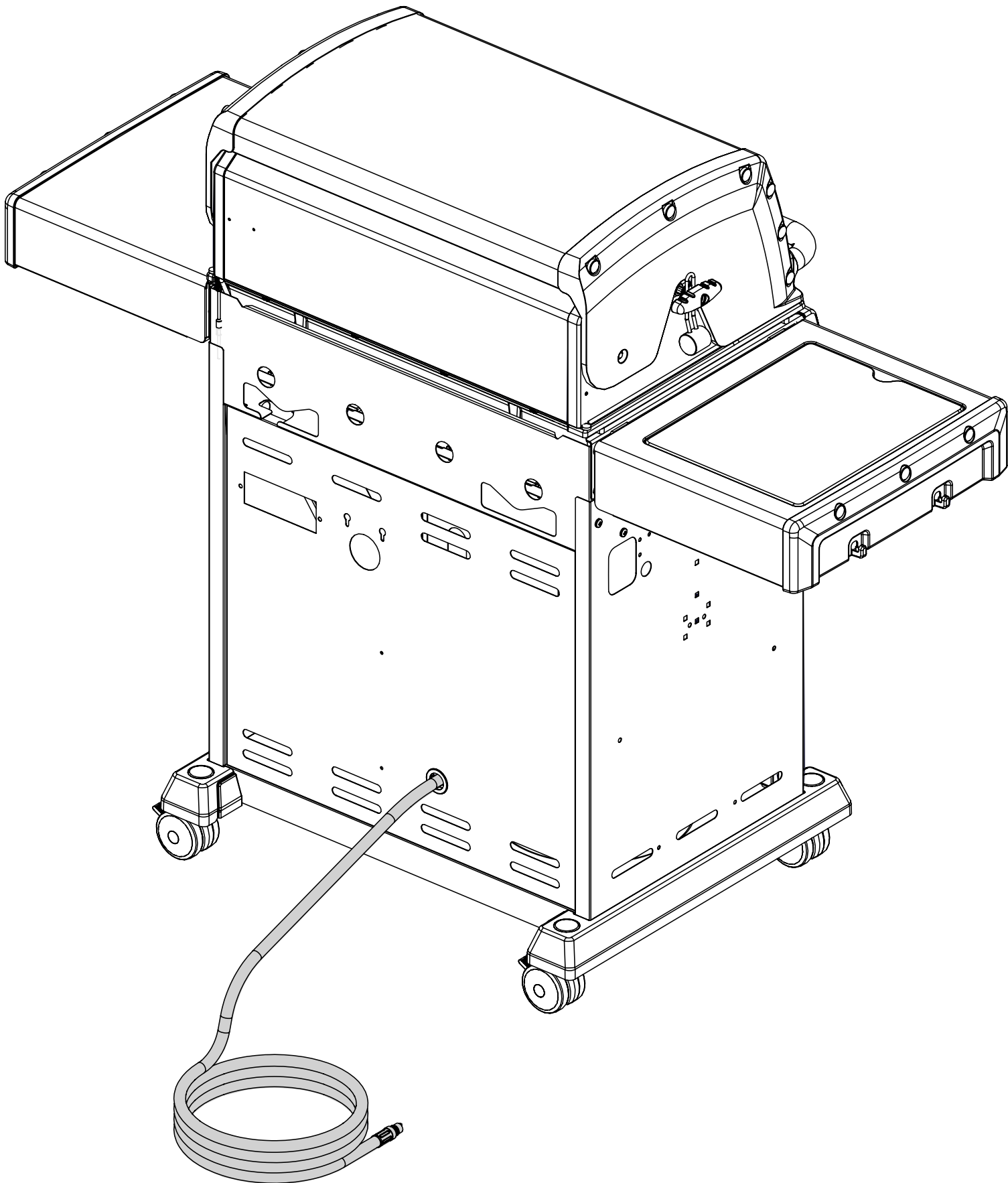


- (2) 
- (2) 





25



PARTS LIST / LISTE DES PIECES

KEY #	ITEM #	8752-52	8752-53	8752-53FRSP	8752-62	8752-63	8752-82	8752-83	8752-83FRSP	8752-86	8752-86	8753-52	8753-53	8753-62	8753-63	8753-82	8753-83	8753-86
145	S21235	2	2	2	2	2	2	2	2	2	2	2	2	2	2	2	2	2
146	S21233	2	2	2	2	2	2	2	2	2	2	2	2	2	2	2	2	2
147	Y-11231	4	4	4	4	4	4	4	4	4	4	4	4	4	4	4	4	4
148	10240-20	2	2	2	2	2	2	2	2	2	2	2	2	2	2	2	2	2
149	Y-11551	2	2	2	2	2	2	2	2	2	2	2	2	2	2	2	2	2
150	Y-12124	2	2	2	2	2	2	2	2	2	2	2	2	2	2	2	2	2
151	Y-12857	4	4	4	4	4	4	4	4	4	4	4	4	4	4	4	4	4
152	Y-12229	1	1	1	1	1	1	1	1	1	1	1	1	1	1	1	1	1
153	Y-12223	2	2	2	2	2	2	2	2	2	2	2	2	2	2	2	2	2
155	S21124	8	8	8	8	8	8	8	8	8	8	8	8	8	8	8	8	8
157	Y-12835
158	Y-12641
159	S21127S	8	8	8	10	10	12	12	12	12	10	8	8	10	10	12	12	12
160	Y-29304	10	10	10	10	10	10	10	10	10	10	10	10	10	10	10	10	10
161	Y-12310	12	12	12	12	12	12	12	12	12	12	12	12	12	12	12	12	12
162	S21084	8	8	8	8	8	8	8	8	8	8	8	8	8	8	8	8	8
167	Y-11981	6	6	6	6	6	6	6	6	6	6	6	6	6	6	6	6	6
169	S21061	2	2	2	2	2	2	2
171	S15246	1	1	1	1	1	1	1
172	S15508	1	1	1	1	1	1	1
173	S21362	1	1	1	1	1	1	1
180	S35095	2	2	2	2	2	2	2
181	25030-73	1	1	1	1	1	1	1	1	1	1	1	1	1	1	1	1	1
181A	25070-95	1	1	1	1	1	1	1	1	1	1	1	1	1	1	1	1	1
184	20025-803	1	1	1	1	1
	20025-805	.	.	.	1	1	1	1	.	1	1	.	.	.
	20025-809	1	1	1	1	1	1	1
186	Y-12865	14	14	14	14	14	14	14	14	10	14	14	14	14	14	14	14	10
190	25020-83	.	.	.	1	1	1	1	.	1	1	.	.	.
	25020-84	1	1	1	.	.	1	1	1	1	.	.	1	1	1	1	1	1
191	25020-82	.	.	.	1	1	1	1	1	1	1	.	.	1	1	1	1	1

