

Broil King®

Broil King
CROWN 410
8650-52
8650-53
CROWN 410 R
8650-53R



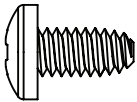
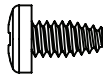
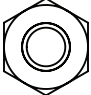
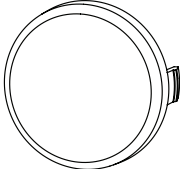
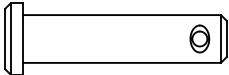
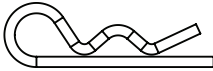
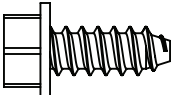

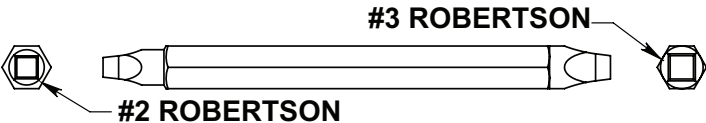

Broil King
CROWN 430
8650-62
8650-63
CROWN 430 R
8650-63R



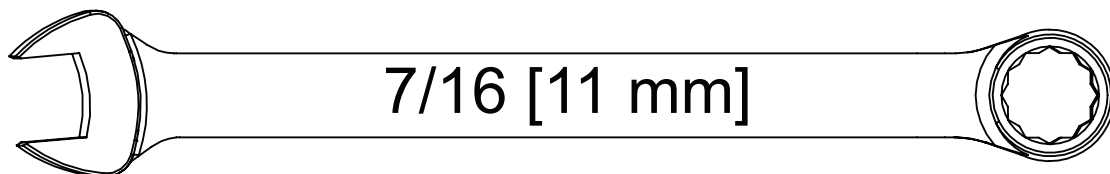
Broil King
CROWN 480
8650-82
8650-83



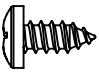
HARDWARE INCLUDED / MATERIAL INCLUS / EQUIPOS INCLUIDO

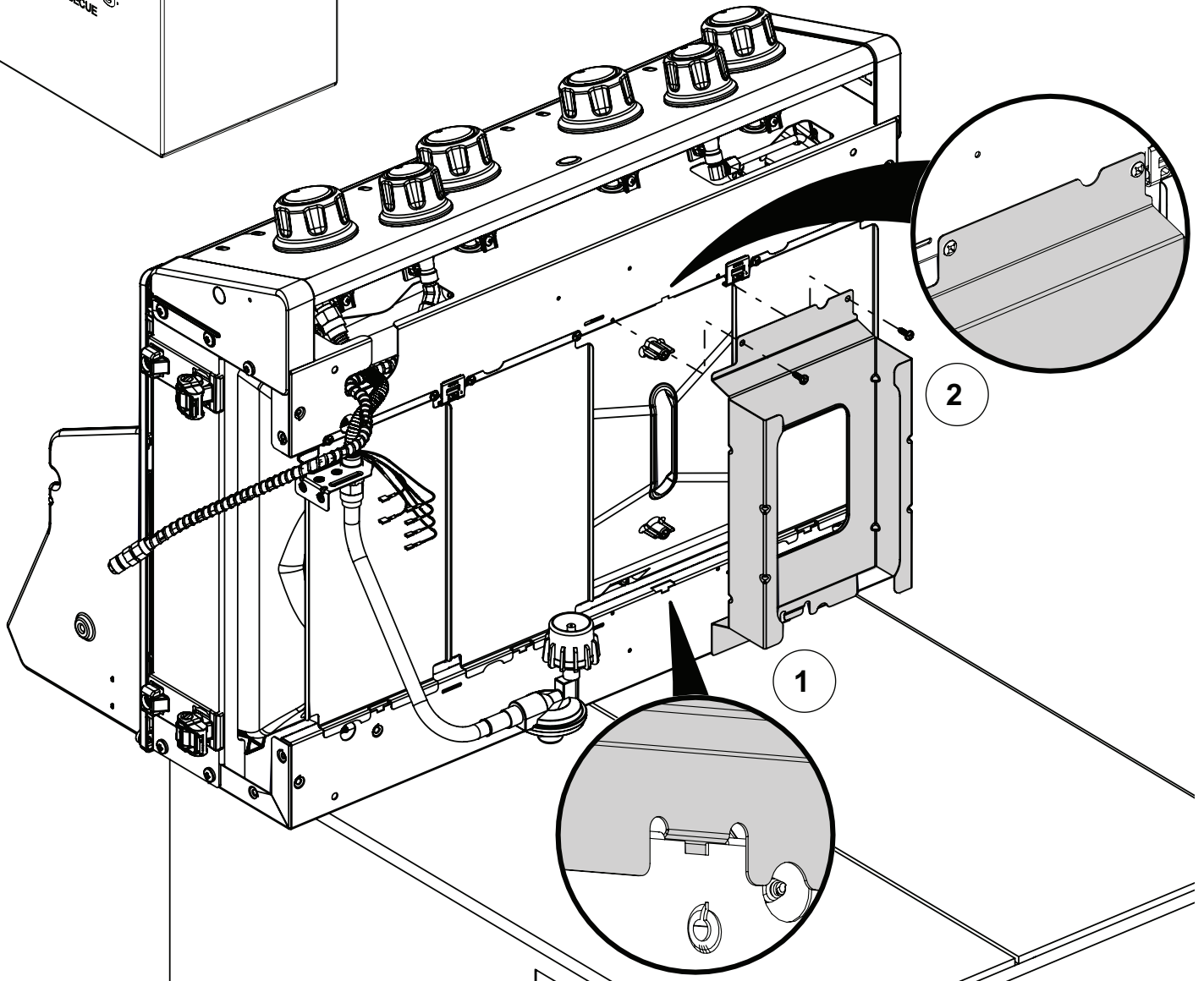
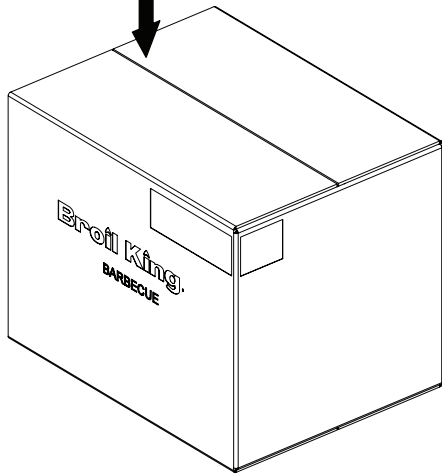
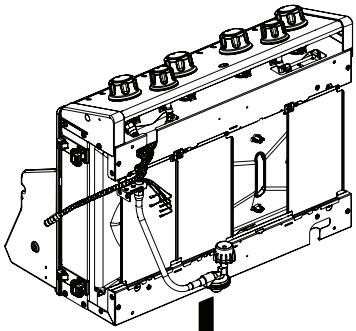
Y-12865		(12)	Y-29304		(6)
Y-11793		(4)	32001-151		(4)
S21235		(2)	S21233		(2)
S21084		(8)	S21125		(2)
 <p>#3 ROBERTSON</p> <p>#2 ROBERTSON</p>					
20005-000					(1)

TOOLS REQUIRED / OUTILS NECESSAIRES / HERRAMIENTAS NECESARIAS

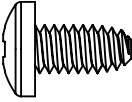


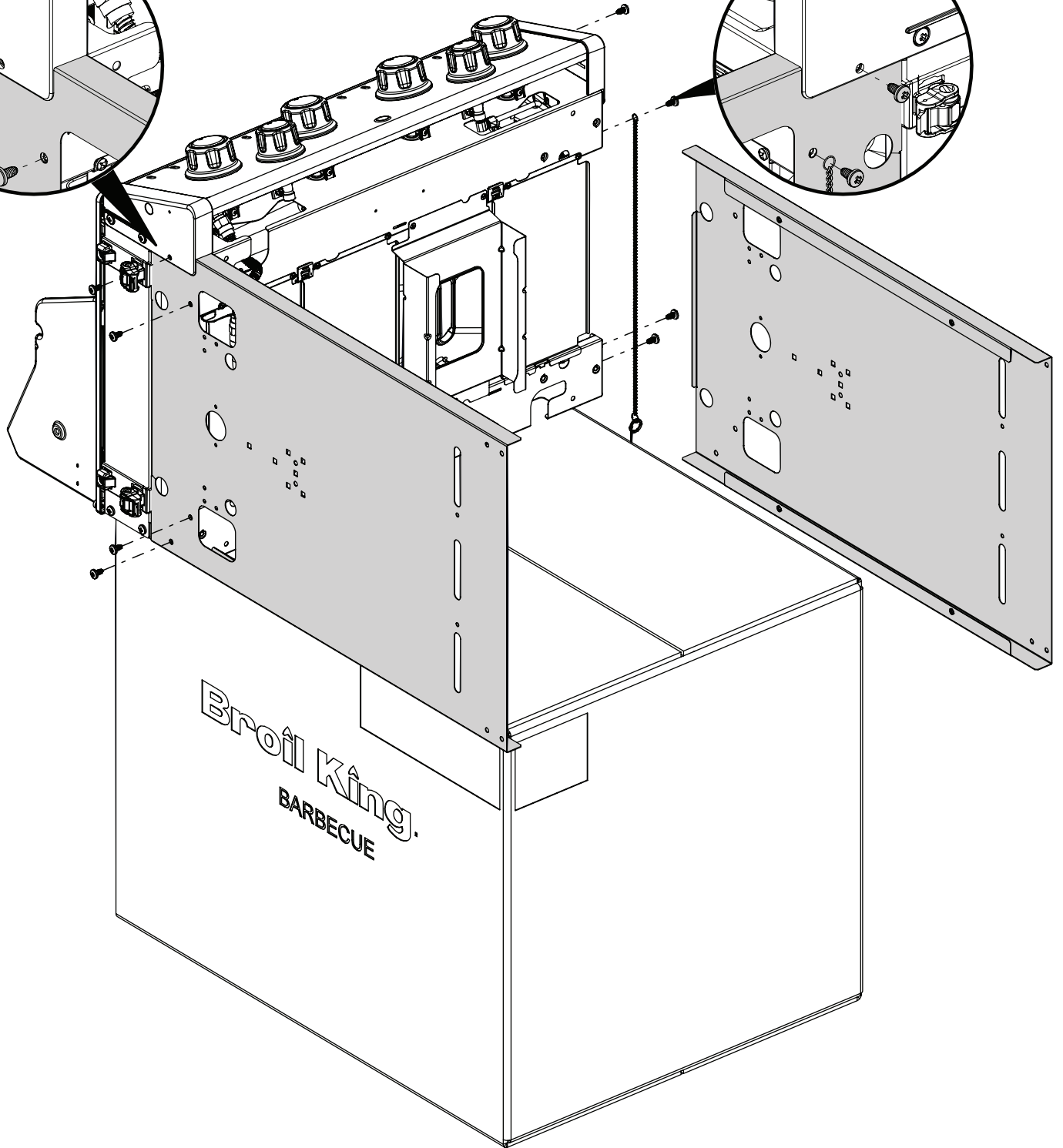
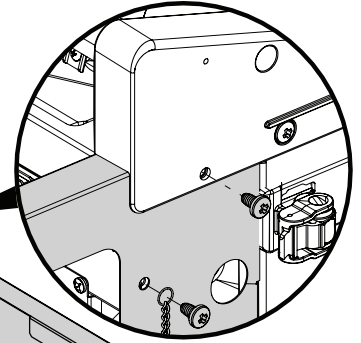
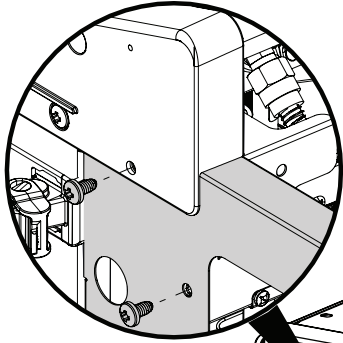
1

(2) 



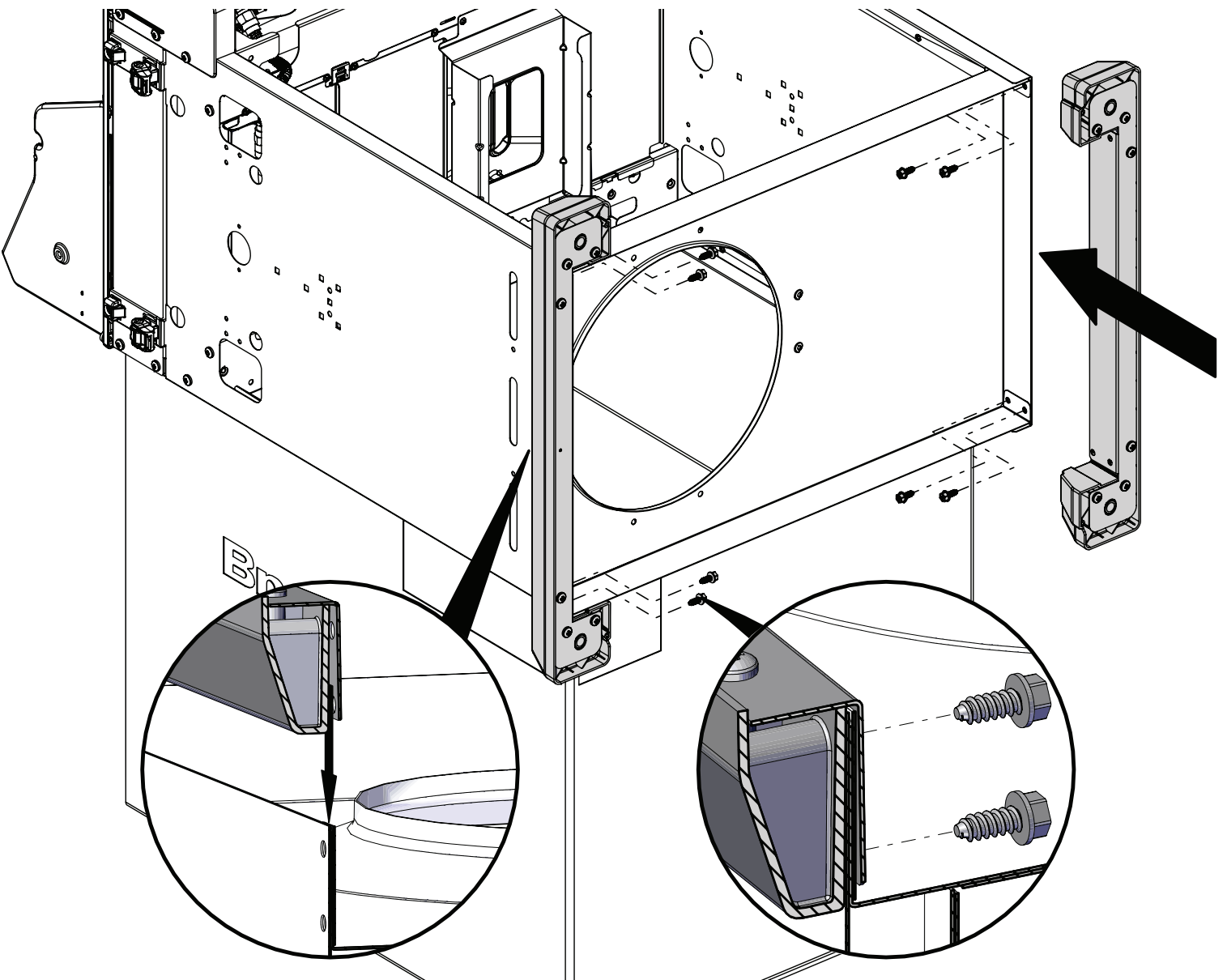
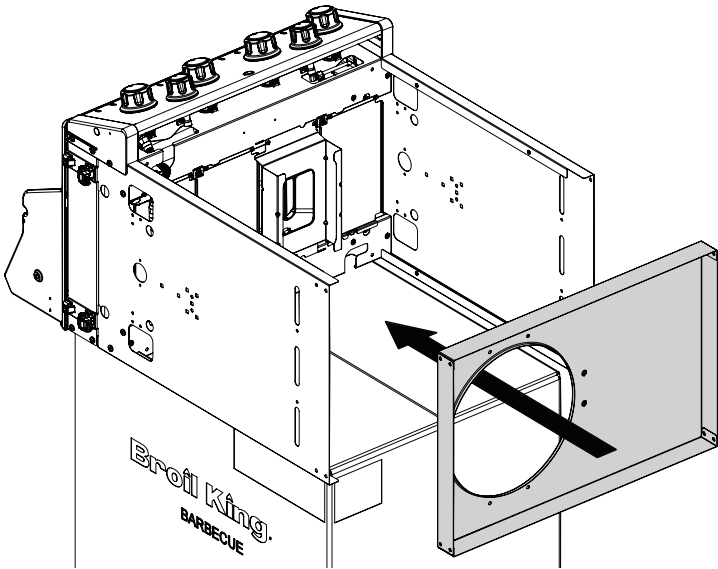
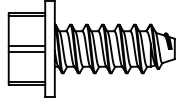
2

(8)  (1)

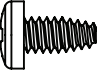


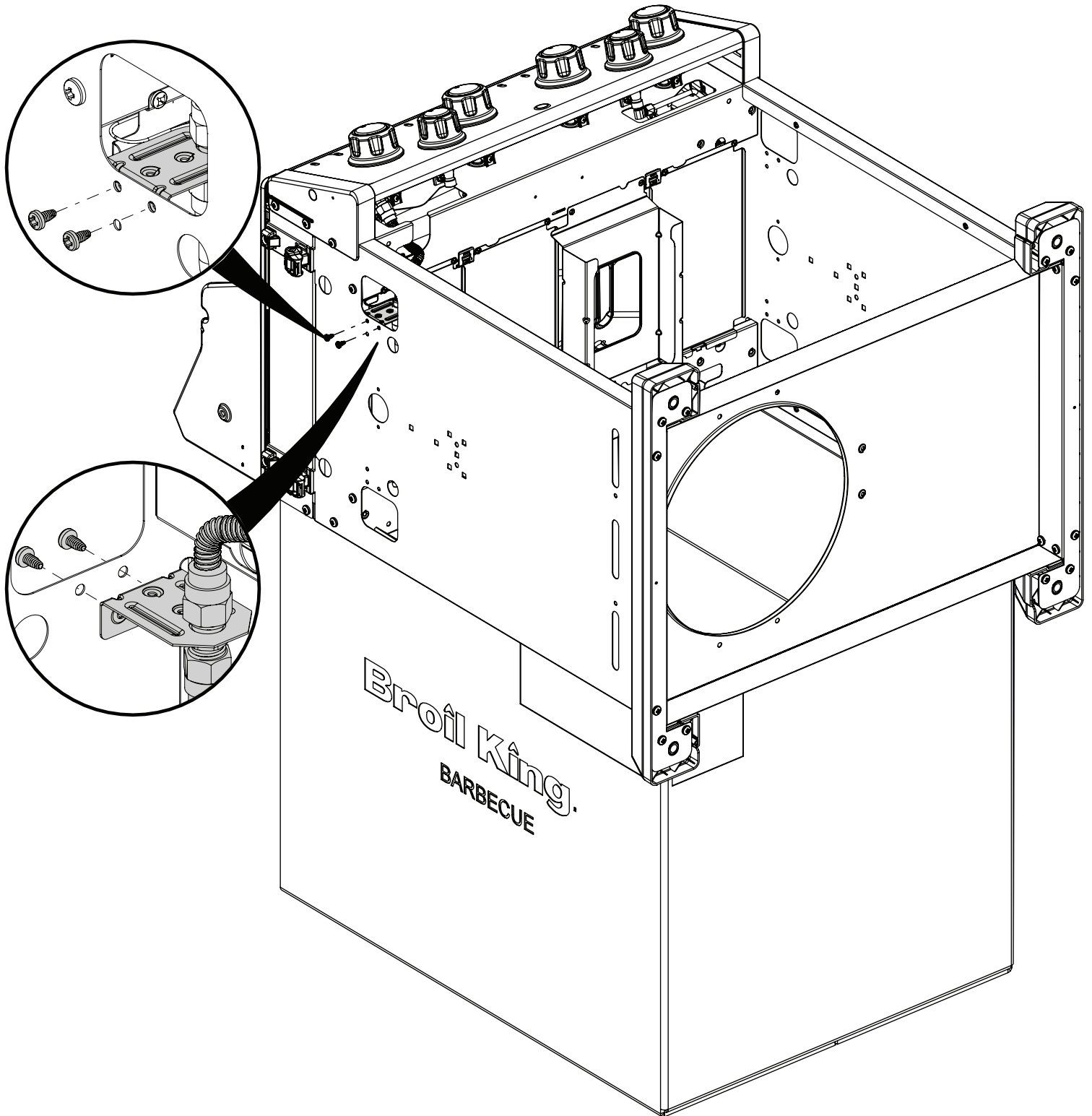
3

(8)

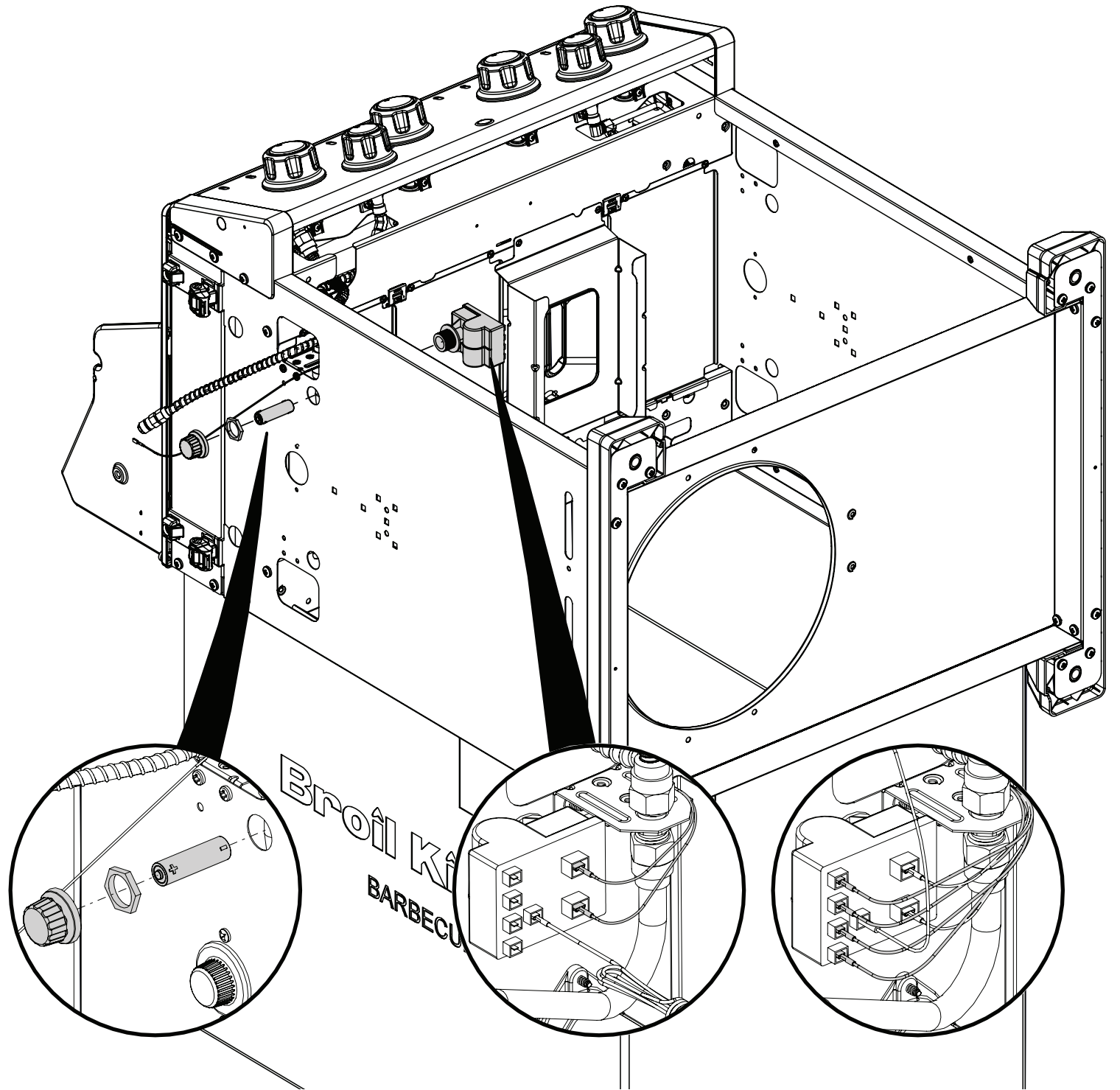
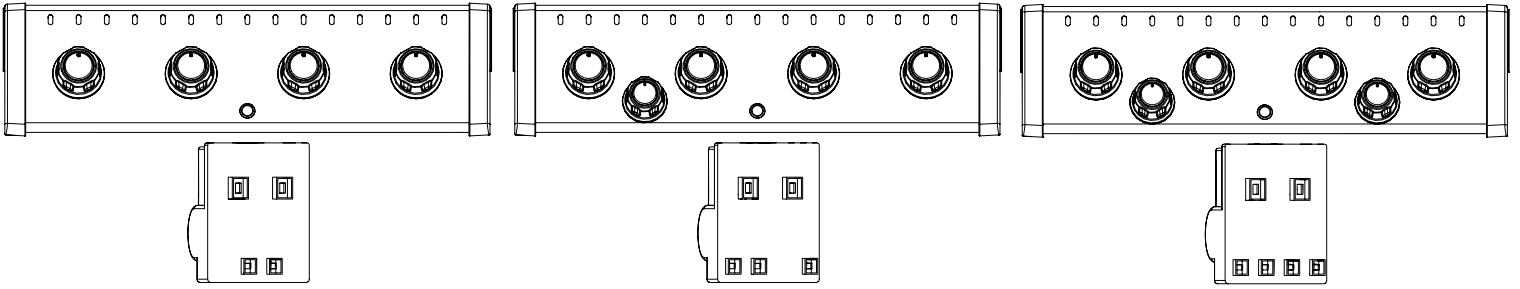


4

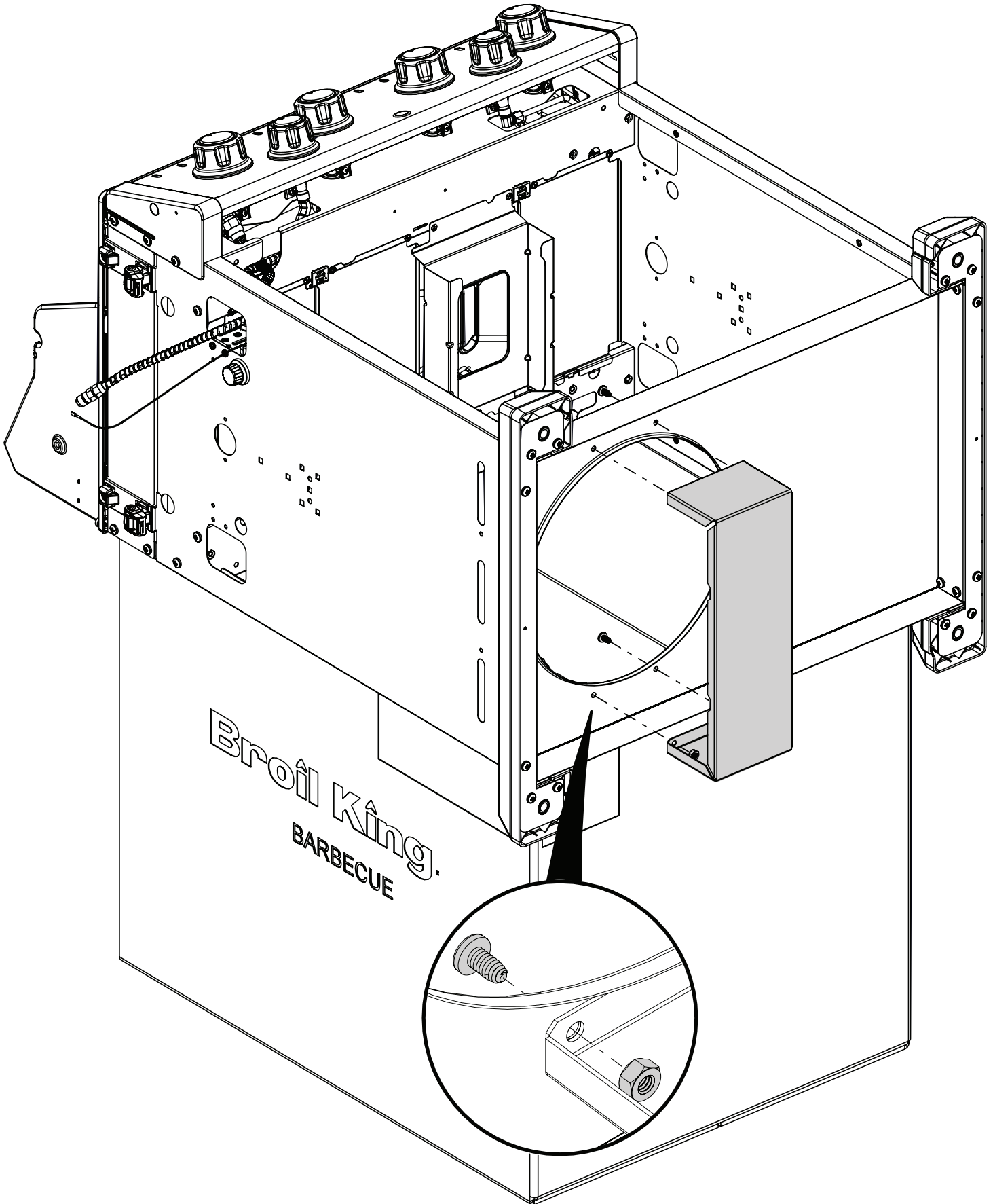
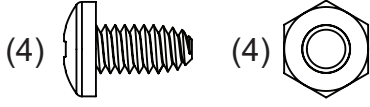
(2) 



5

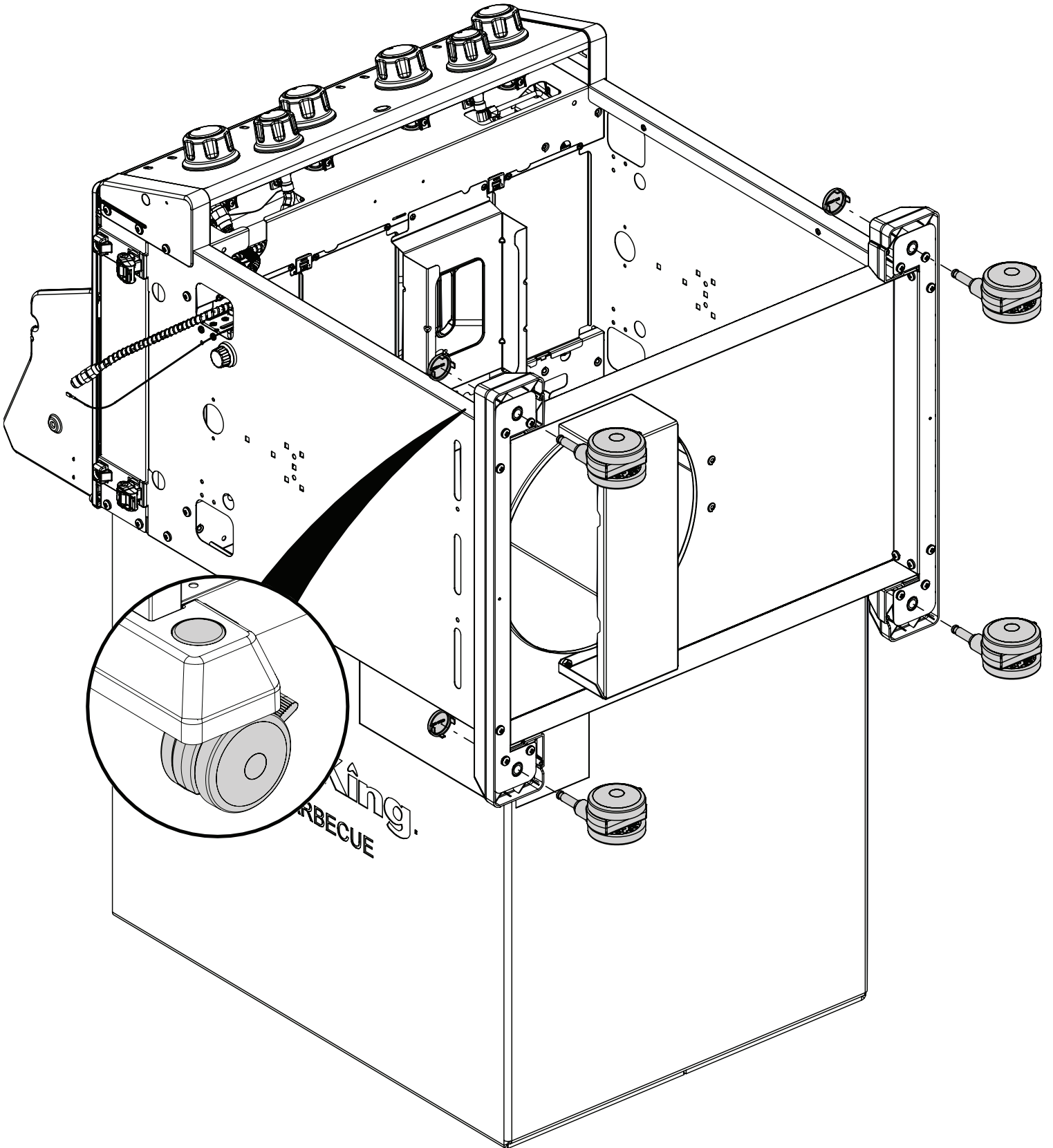
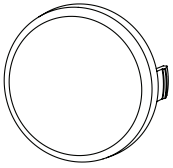


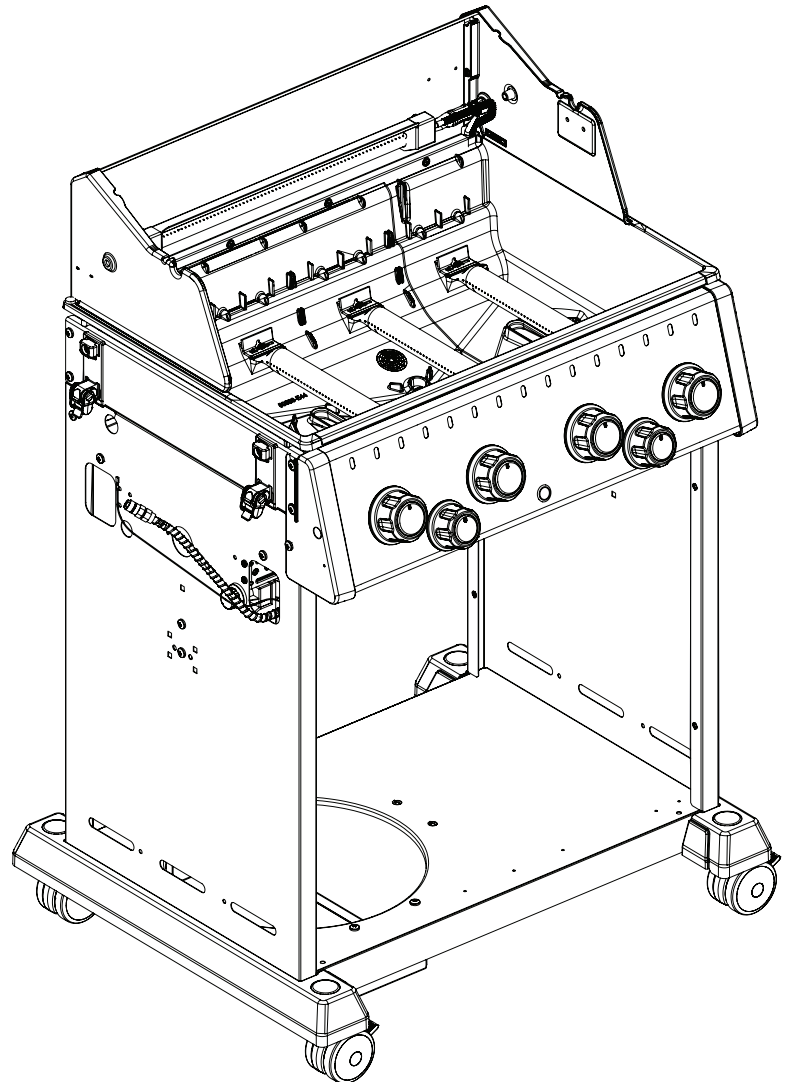
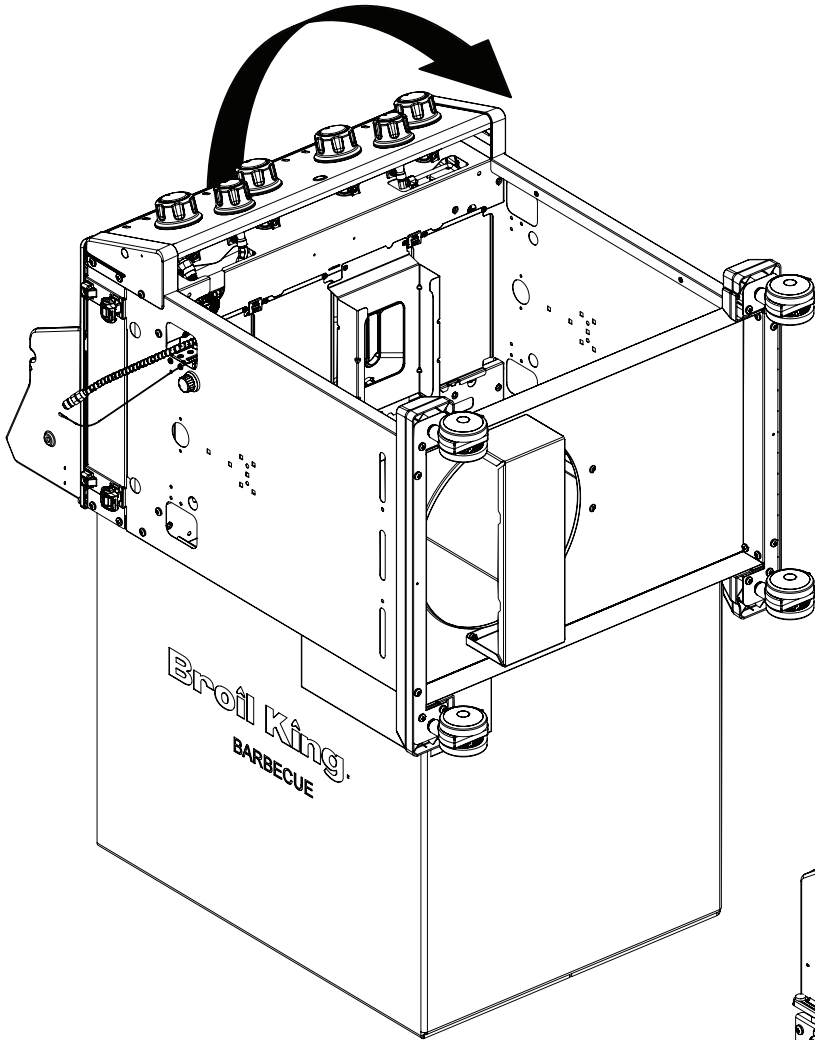
6



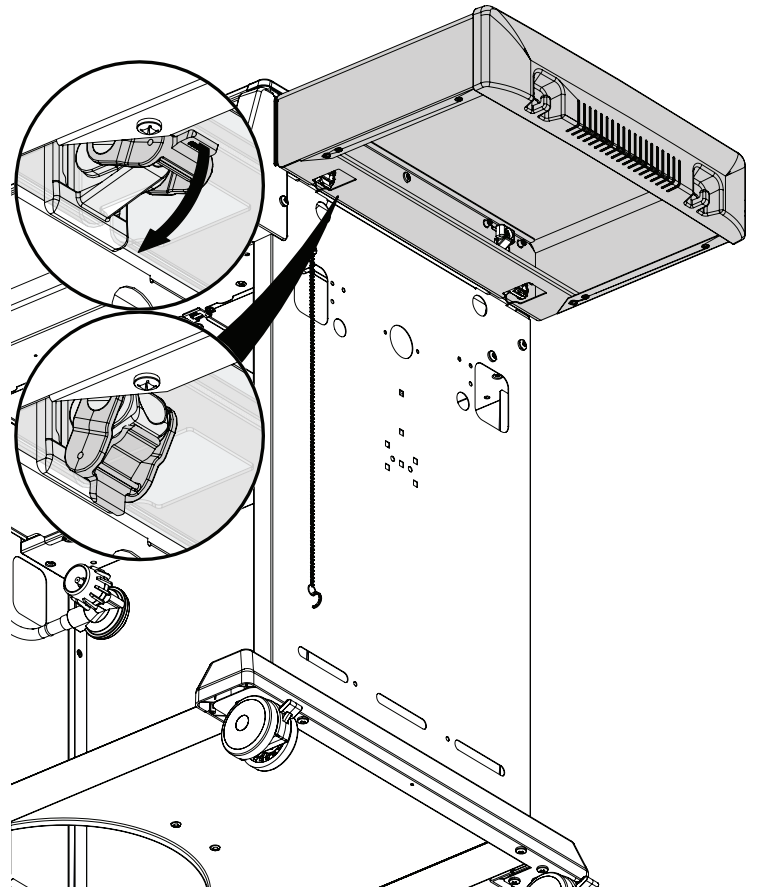
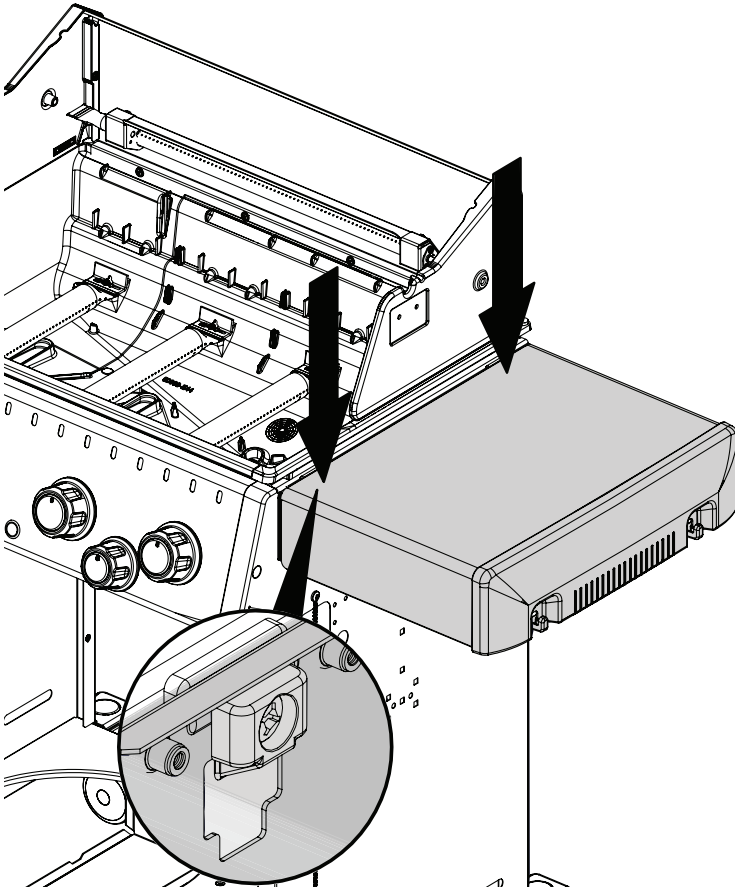
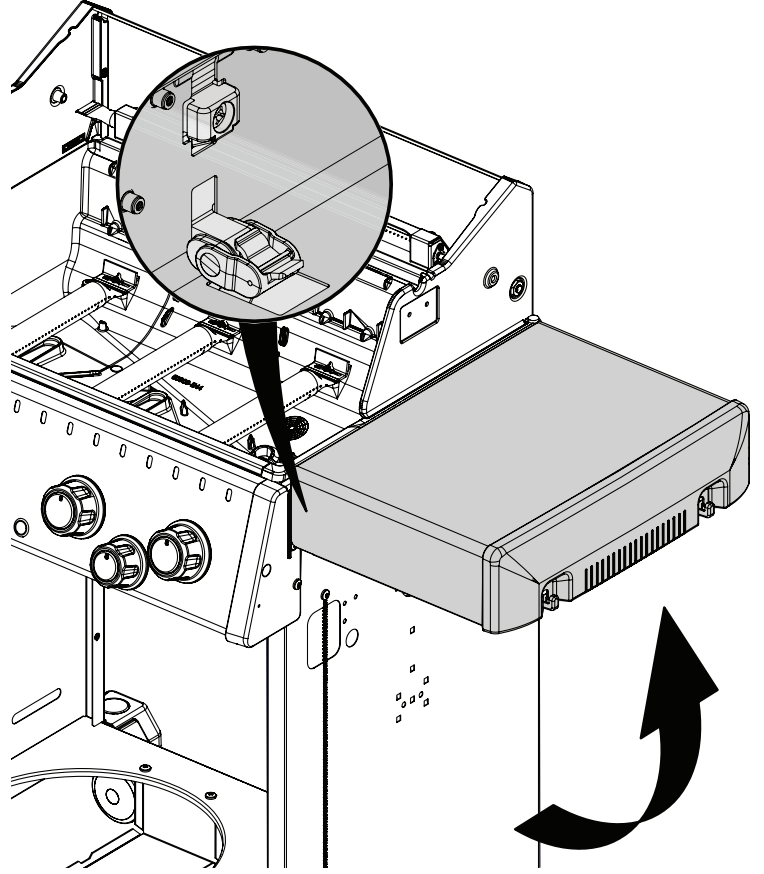
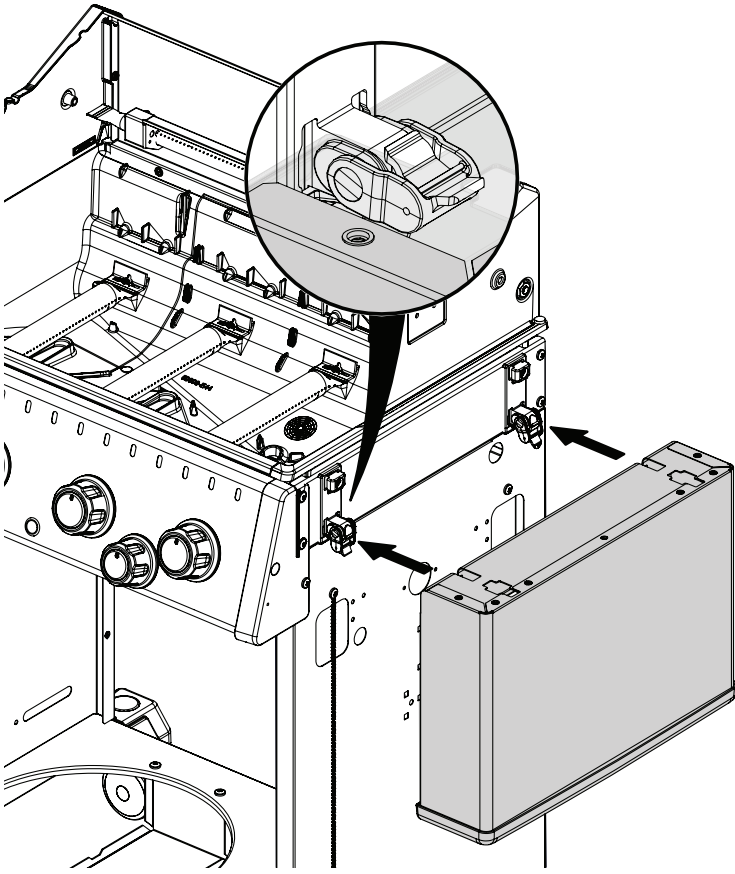
7

(4)

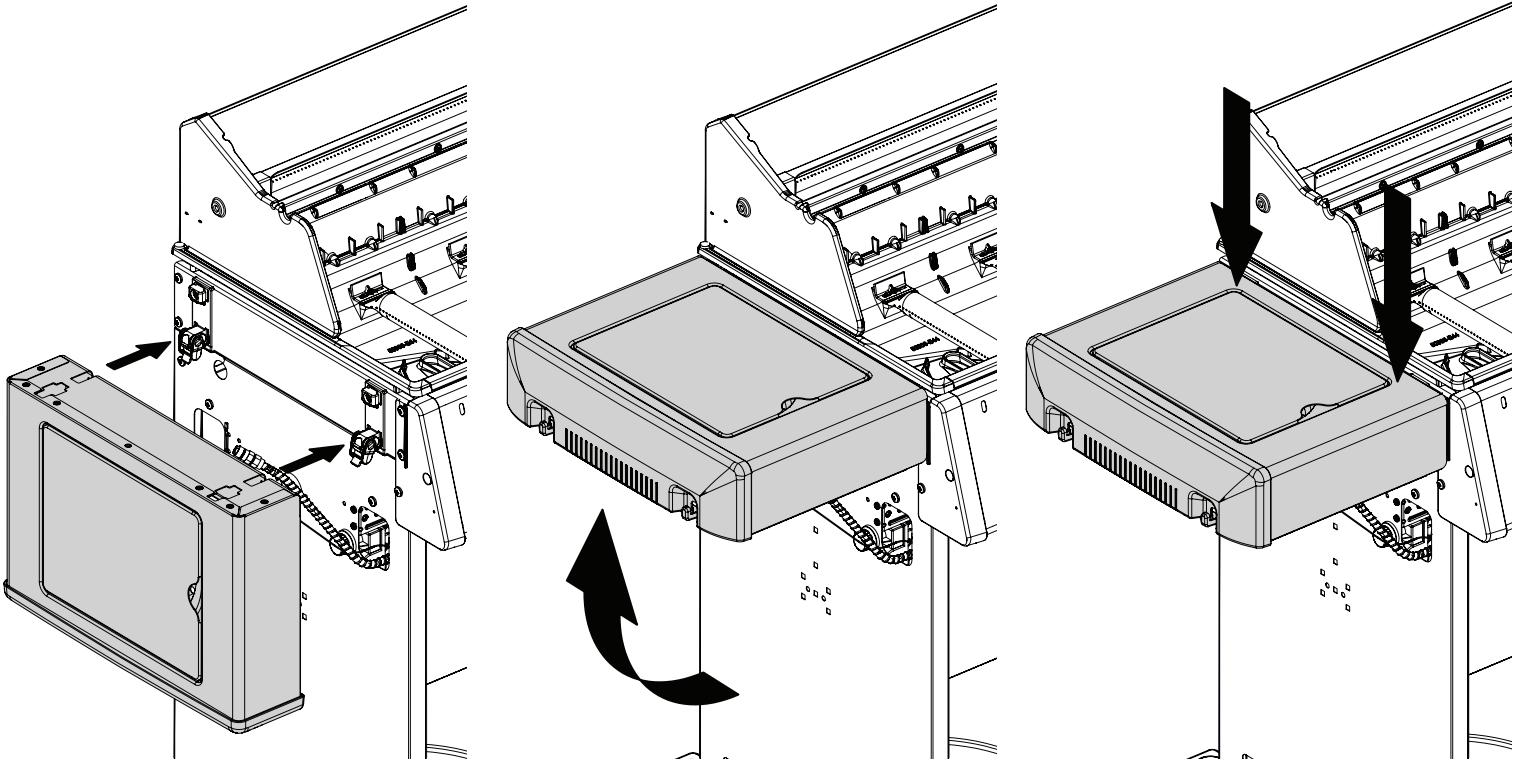




9



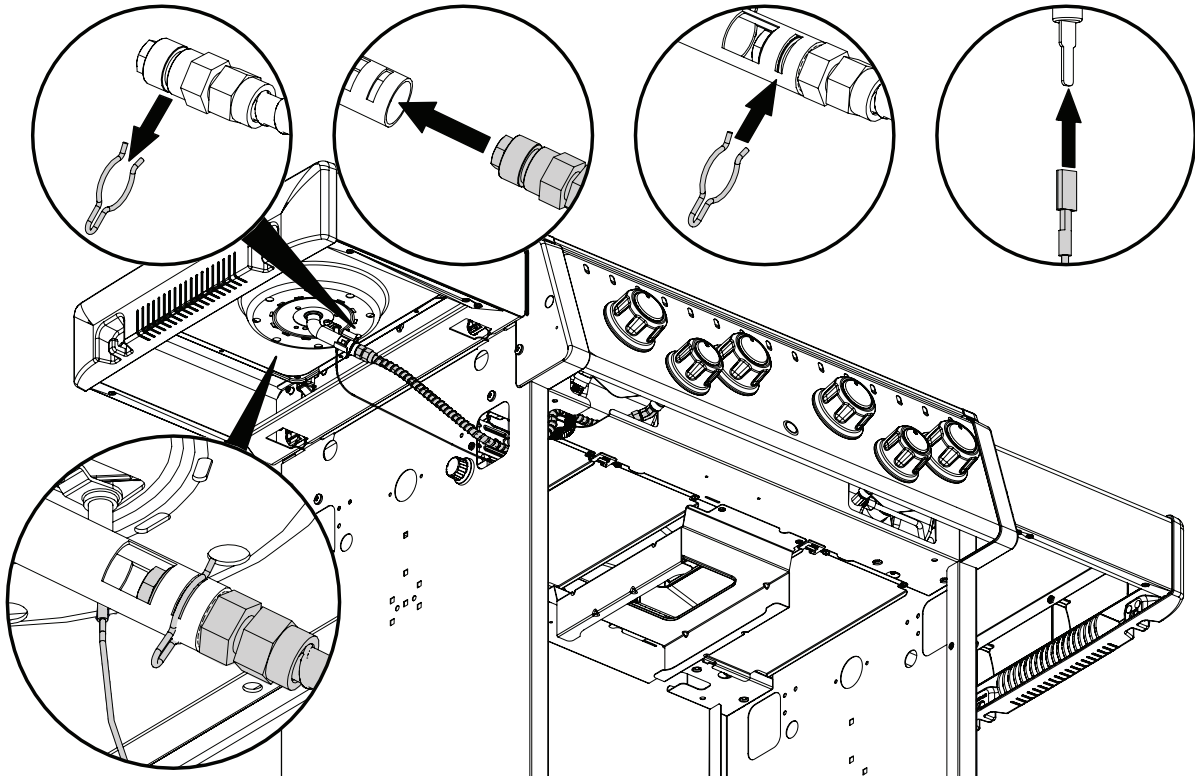
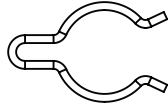
10

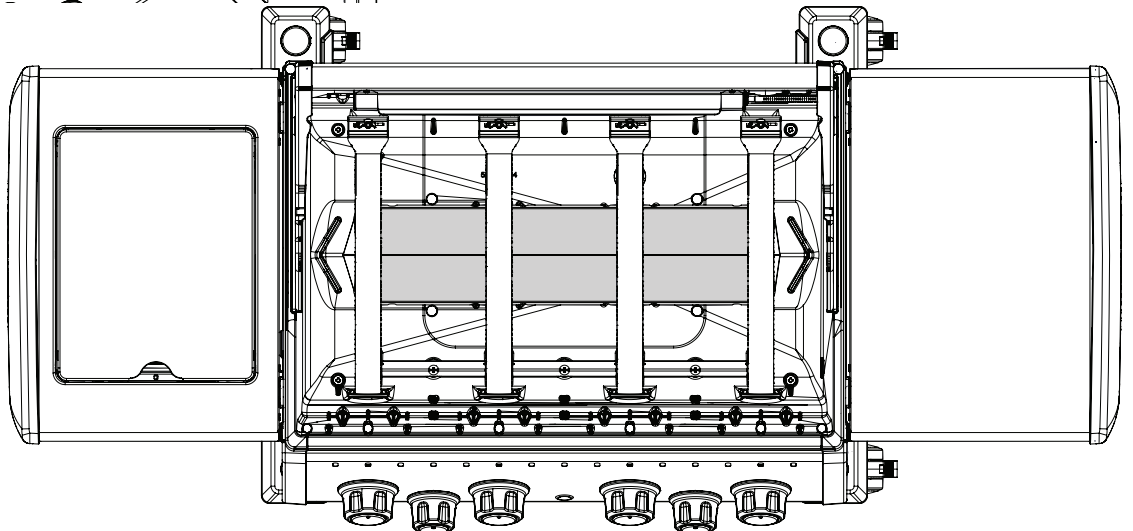
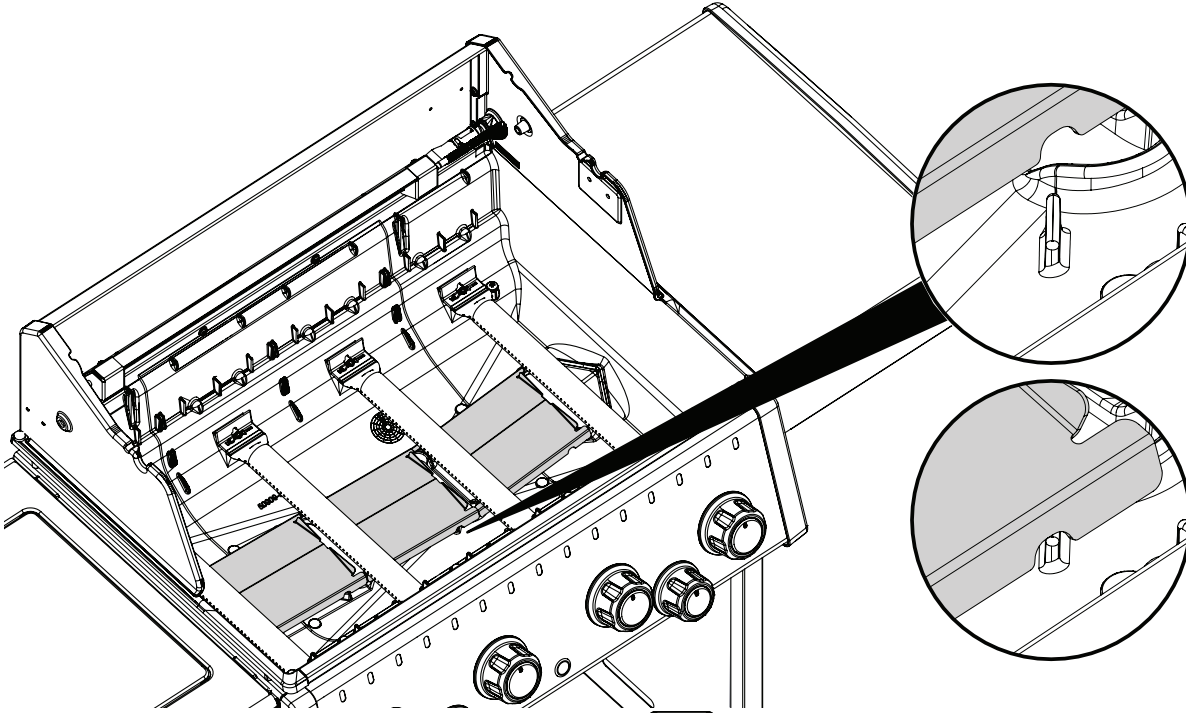
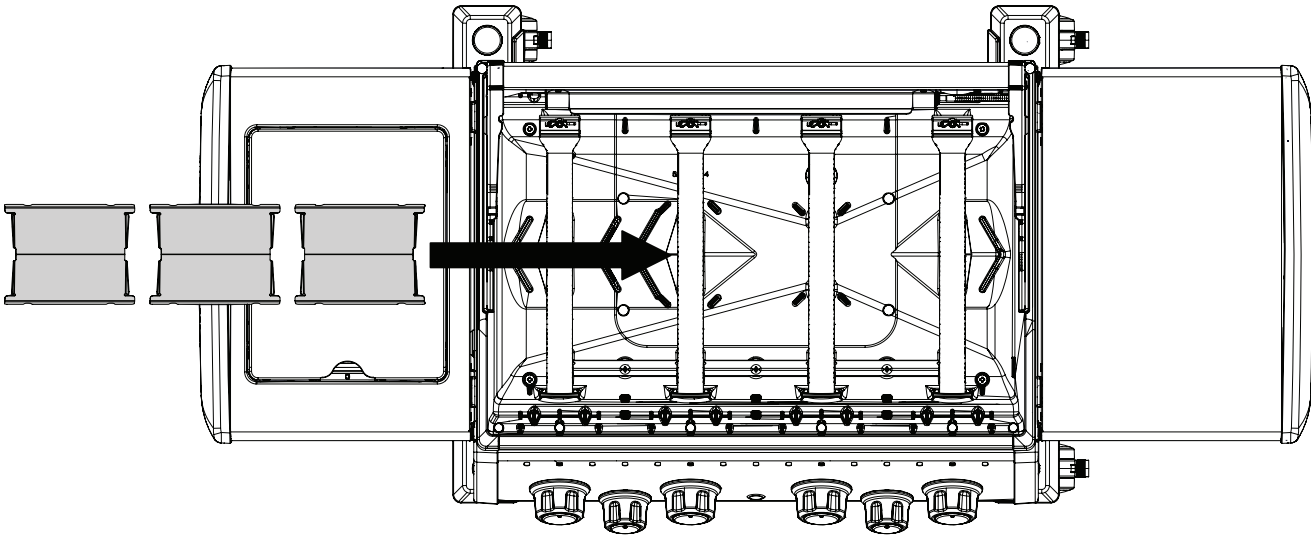


11

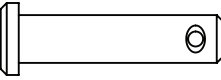
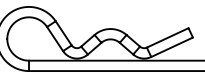


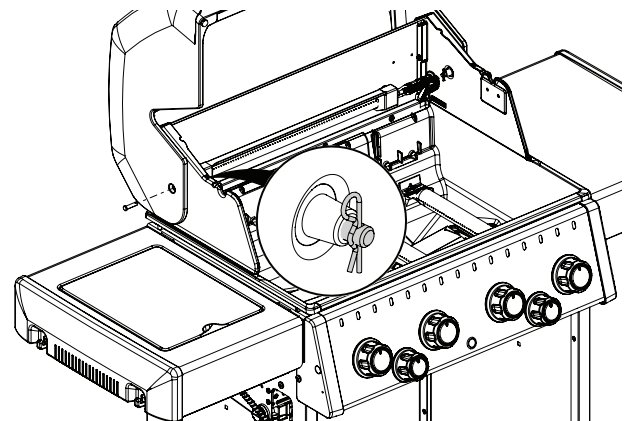
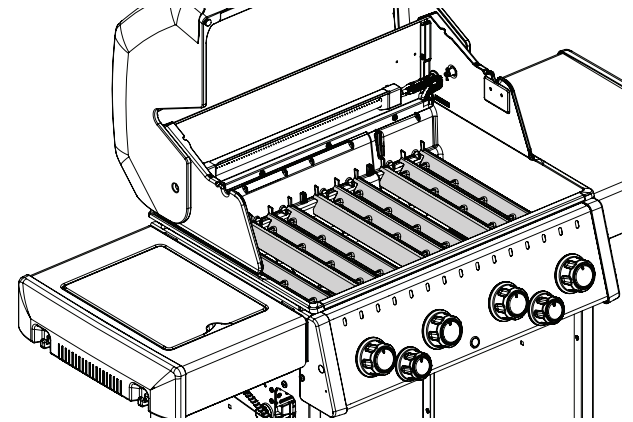
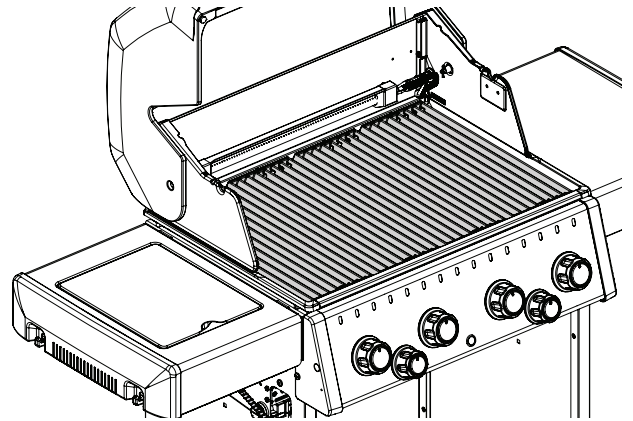
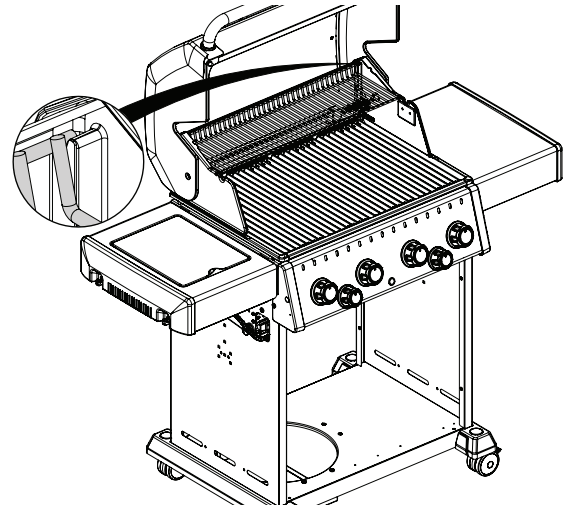
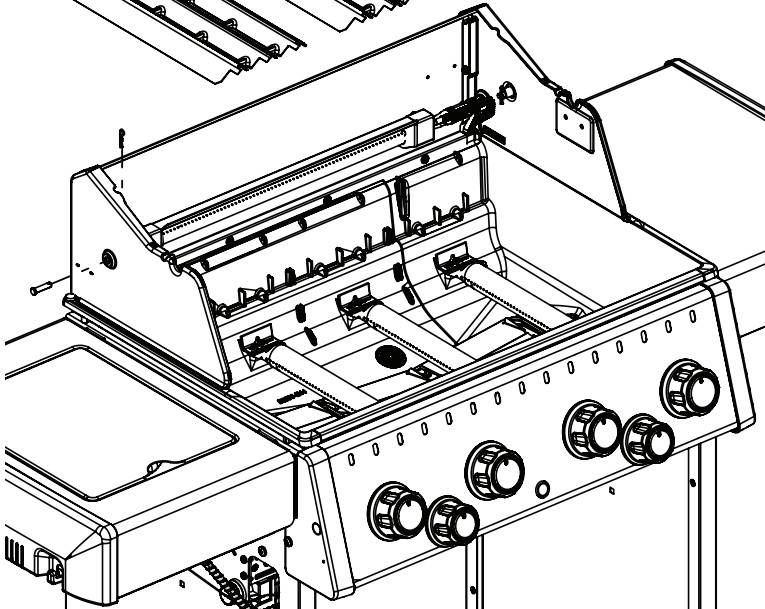
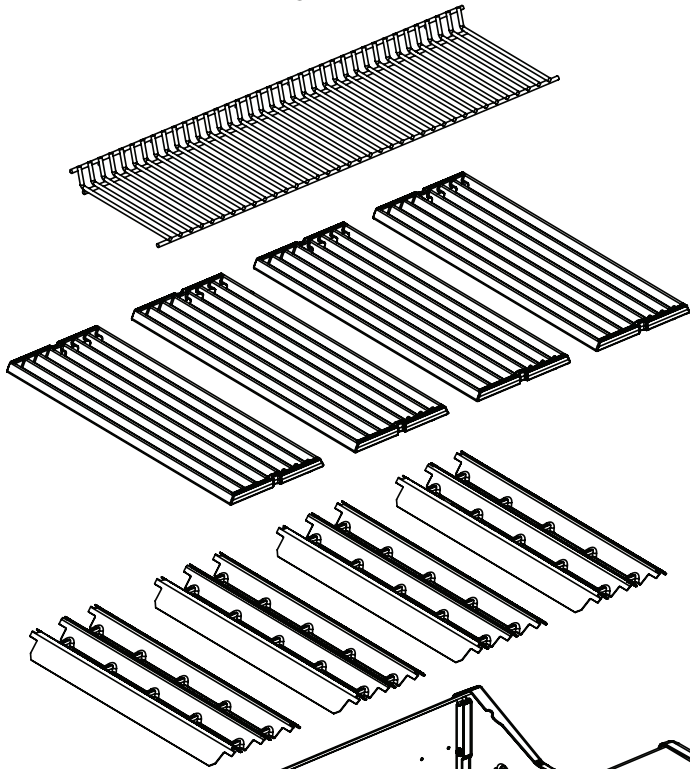
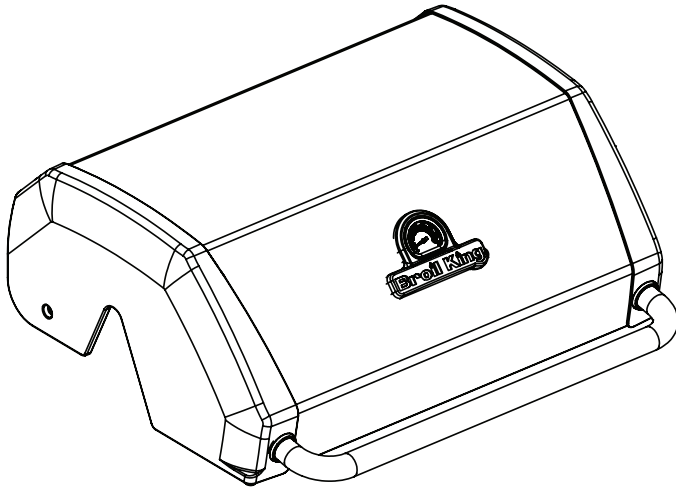
(1)





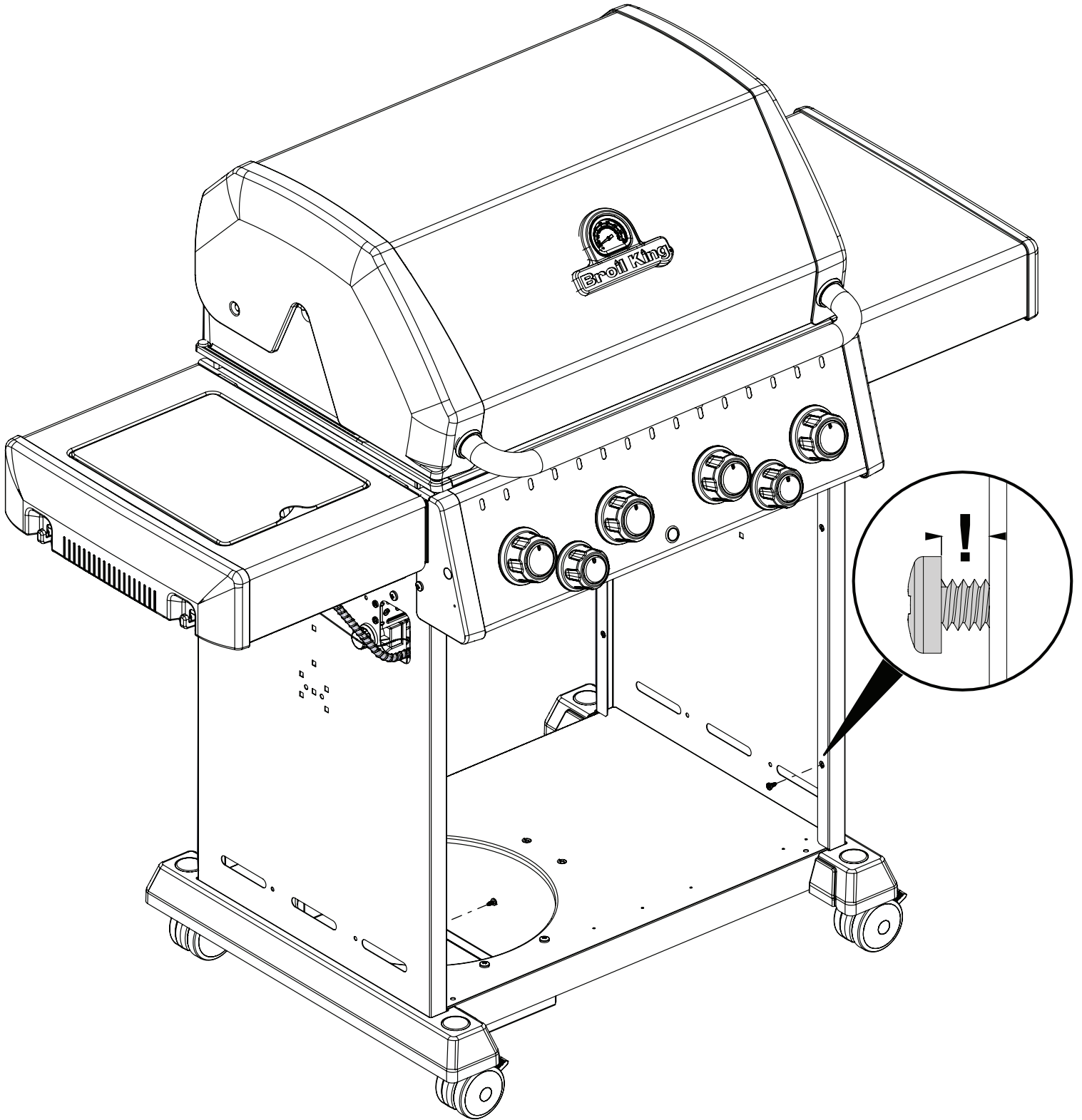
13

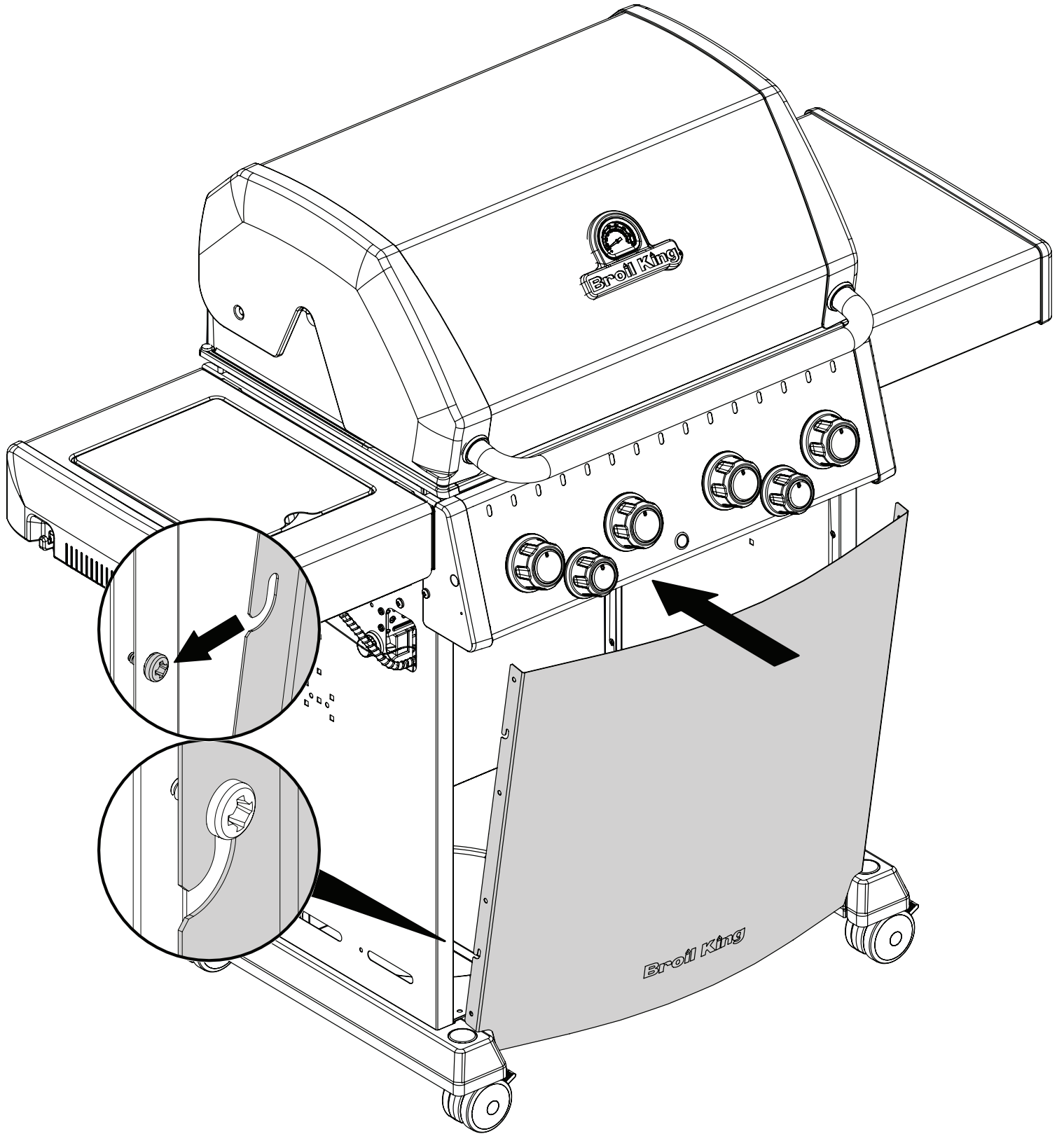
(2)  (2) 



14

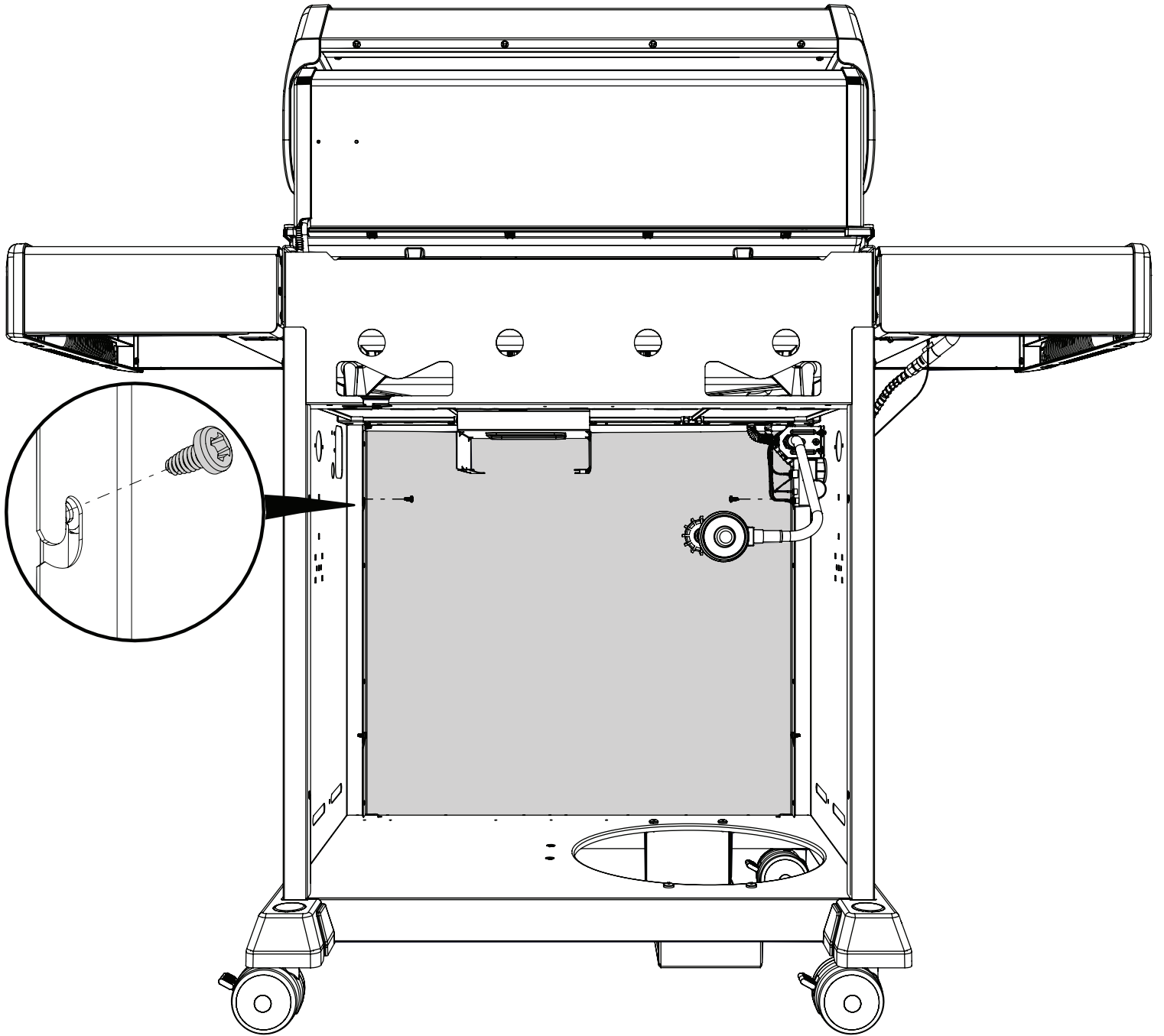
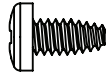
(2) 



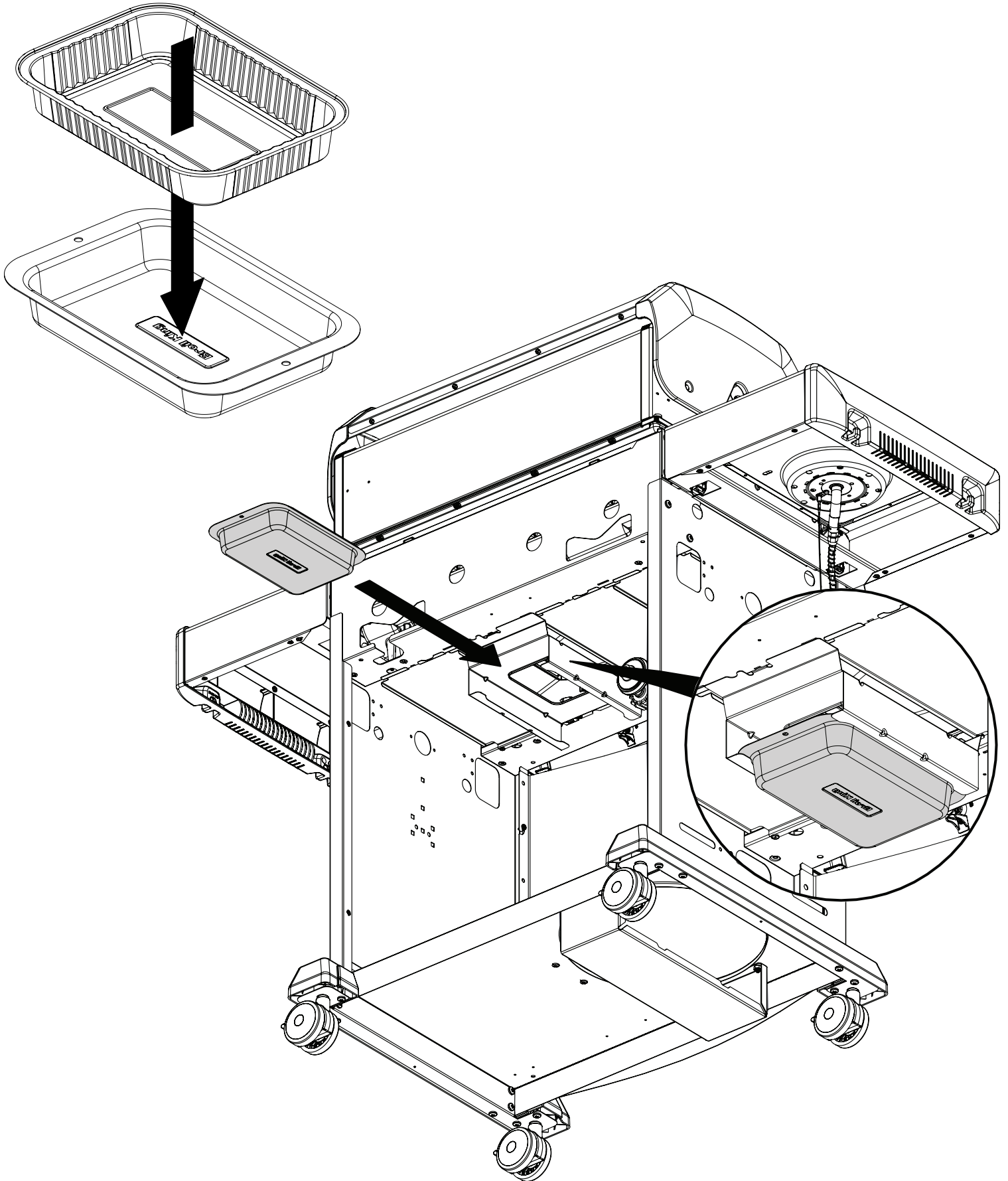


16

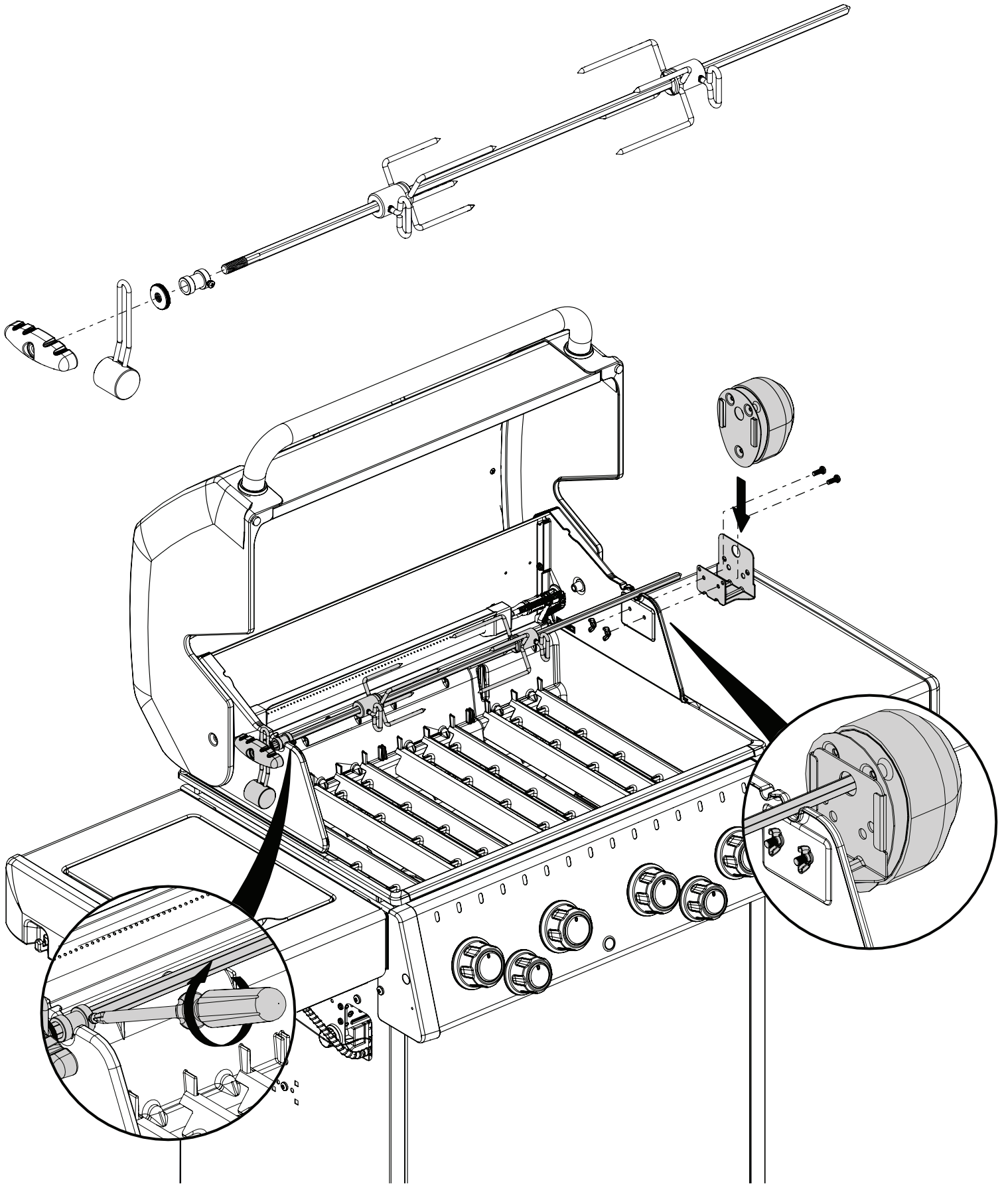
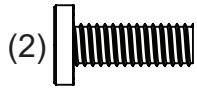
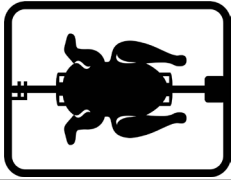
(2)



17



18



19

